

DRINKING WATER FILTER



The quality of mains water is receiving continual attention in the media. Water supplies are now accepting that the quality of water at the tap can vary in terms of colour, taste and odour. This can bring into question the basic enjoyment of drinking a glass of water. So much so that many people are turning to bottled water rather than drinking their normal household supplies. This can be an expensive alternative.

An Activated Carbon drinking water cartridge is a proven method of treating drinking water. It acts simply and silently to :-

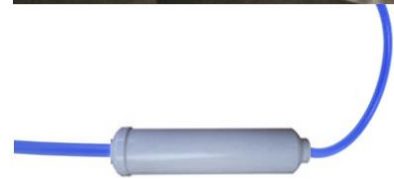
Remove the medicinal taste of chlorine,

Enhance and freshen taste,

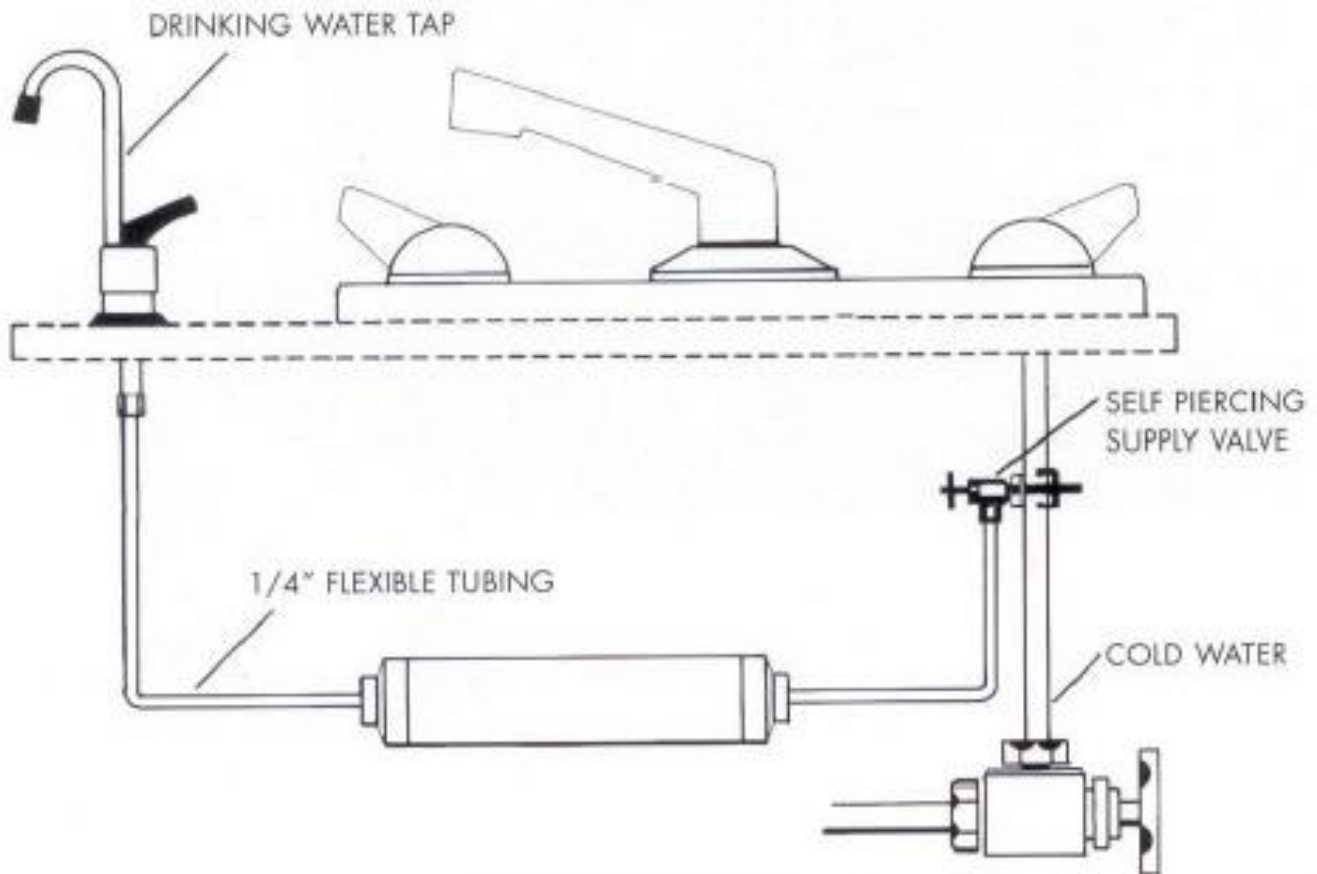
Eliminate odour,

Remove sediment and rust which discolours the water.

The result – clear water with a sparkling appearance; fresh tasting and sweet smelling, which retains all of its minerals. When compared to the cost of buying bottled water, a drinking water filter represents a real investment. It can pay for itself time and time again, recouping the initial outlay after just a few weeks.



This filter is designed for simple installation. It does not require any electrical connections, just a mains water connection that can be made rapidly via a saddle tapping valve. Flexible quarter inch tubing is then run to the filter and then onto a suitably positioned drinking water tap. The filter itself can be mounted on any suitable surface, in any orientation, with the bracket provided.



Specification

Max pressure	125 psi
Min Pressure	15 psi
Max Temperature	40c
Min Temperature	1c
Normal Life span	6 Months
Do not allow to freeze	

Designed for domestic use only on potable water sources.