



Delta
WATER SOFTENERS



Delta ONTARIO DUPLIX



- *Non-electric operation*
- *Always soft water available*
- *Very high flow rates in service*
- *Limited salt and water consumption*
- *Free location of brine tank*

100% GREEN



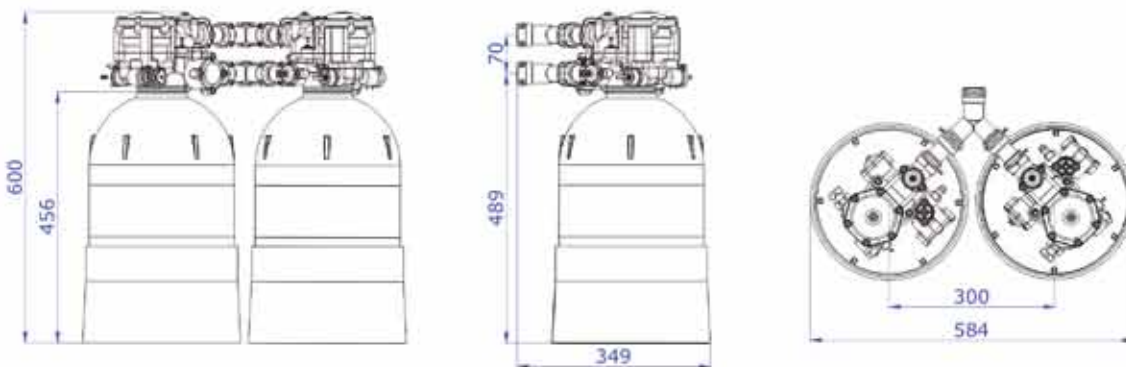


Delta

WATER SOFTENERS

ONTARIO DUPLIX

DIMENSIONS



TECHNICAL DATA

Connection	1"
Working Pressure	1 - 8 bar*
Flow Rate (Δp 1 bar)	3,7 m ³ /h
Exchange Capacity	2 x 600 m ³ /ppm CaCO ₃
Water Usage / Regeneration	50 L (2x)
Salt Usage / Regeneration	1,2 kg (2x)
Regeneration Time	30 min (2x)
Max. Temperature	50 °C
Volume of resin	12 L (2x)

* for a correct regeneration, Delta Softeners require a minimum outlet pressure of 0.8 bar

100% GREEN

Delta Water Engineering NV

Waesdonckstraat 1, 2640 Mortsel (Antwerp), BELGIUM

T +32 3 219 50 70

E info@deltawatersystems.com U www.deltawatersystems.com

PWG
POLLET WATER GROUP

