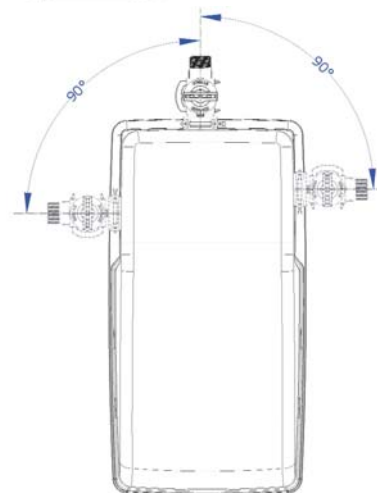
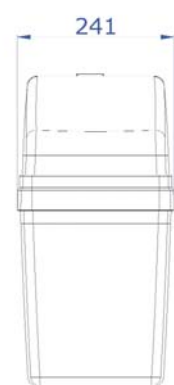
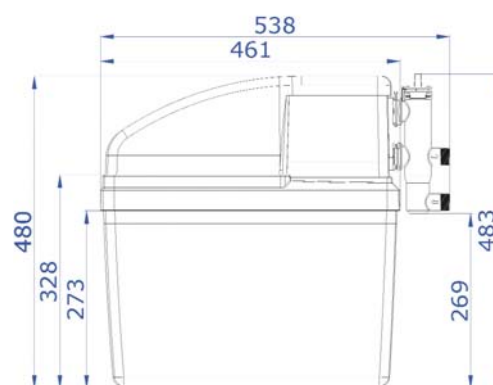




Technical data	
Width	241mm
Height	483mm
Depth (inc. bypass)	538mm
Connection 3/4 inch	BSP
Working pressure	1-6 bar
Flow rate	25 litres/min
Pressure drop	1 bar
Capacity (300ppm CaCO3 hardness)	500 litres
Water usage/regeneration	18 litres
Salt usage/regeneration	0.3-0.4 Kg
Maximum temperature	50°C



Call your local dealer for a quotation now



Delta

NON-ELECTRIC

water softeners

The Delta is a modern, stylish, compact non electric water softener. It is simple to use with a practical design ideal for installation under the sink.

Why do you need Softened Water?

Calcium and magnesium minerals in water cause scale to form in your kettle, on your shower head and in your heating system. This "furring up" looks unsightly, reduces the life of appliances, and makes soap difficult to lather. Just 1.6 mm of scale build up in a heating system can reduce efficiency by 12% adding hundreds of pounds to a fuel bill. A Delta water softener removes the calcium and magnesium from the water stopping this scale build up saving you money.

Softened water also gives your hair that nice silky sensation and your laundry that soft luxurious feeling. Combine this with the reduced use of detergents and chemicals makes a Delta softener the obvious choice.

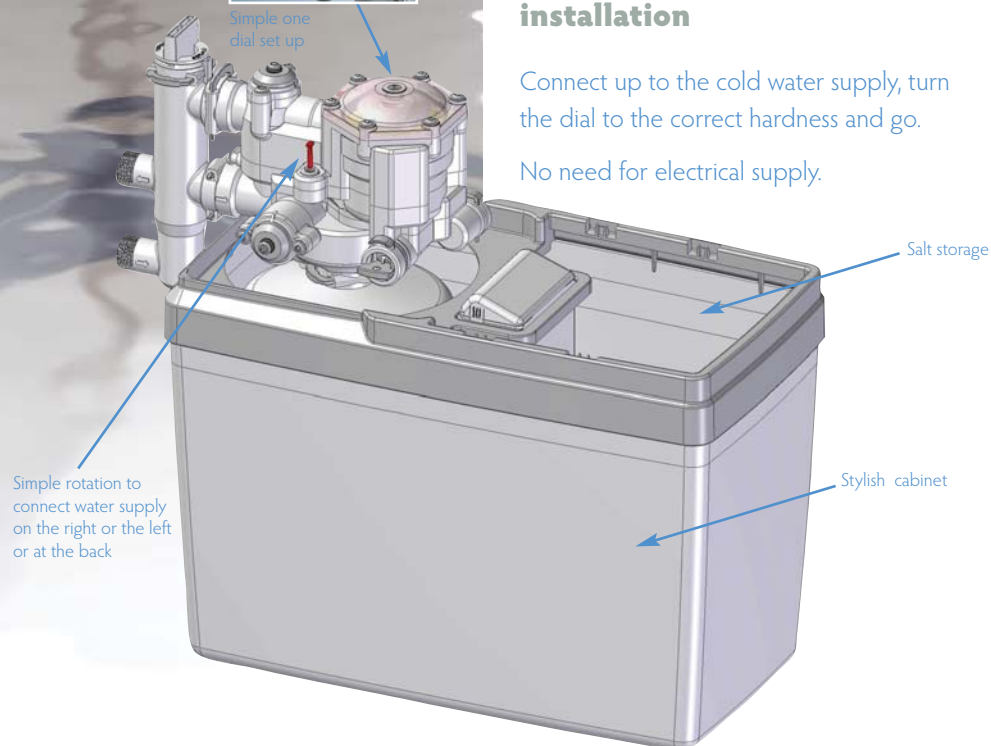
Simple straight forward installation

Connect up to the cold water supply, turn the dial to the correct hardness and go.

No need for electrical supply.



Simple one dial set up



Features and benefits

- Non electric
- Compact
- Automatic control
- Low salt and water consumption
- Simple installation

Environmentally friendly

Advanced technology - makes Delta water softeners one of the most efficient (environmentally friendly) water softeners on the market.

Energy saving - Saves money on energy bills by stopping scale build up in the heating system.

Low carbon foot print - Doesn't use electricity, only uses 330g of salt and 18 litres of water for a regeneration.

On demand - Uses patented water powered meter to only regenerate when necessary.

