

WE HAVE THE EXPERIENCE



Clack Parts List

KENNET



POLLET WATER GROUP

Parts List 2011

Clack Valve Spare Parts

WS1CI – WS1.25CI

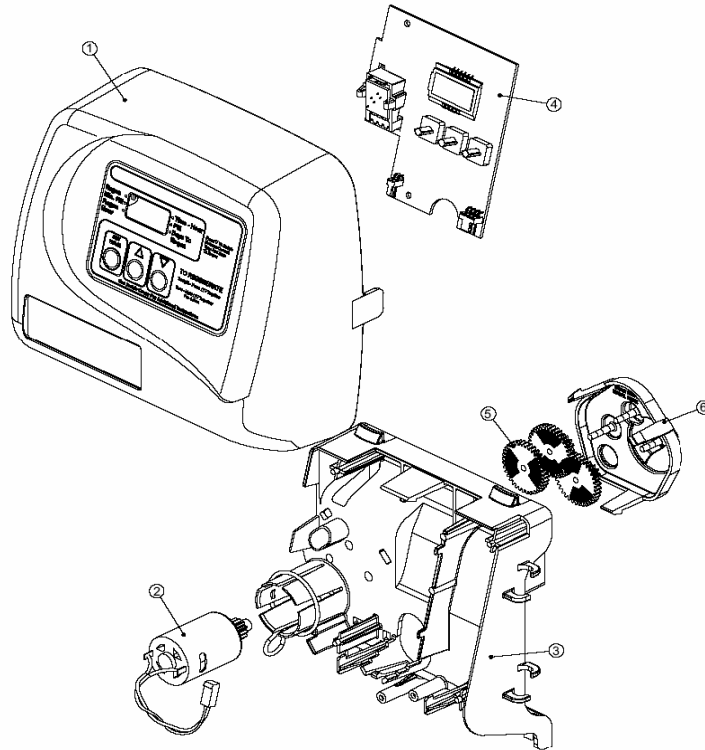
WS1TC

WS1.5CI – WS2CI

WS2H – WS3H

CLACK 1" TC

Front cover & drive assembly

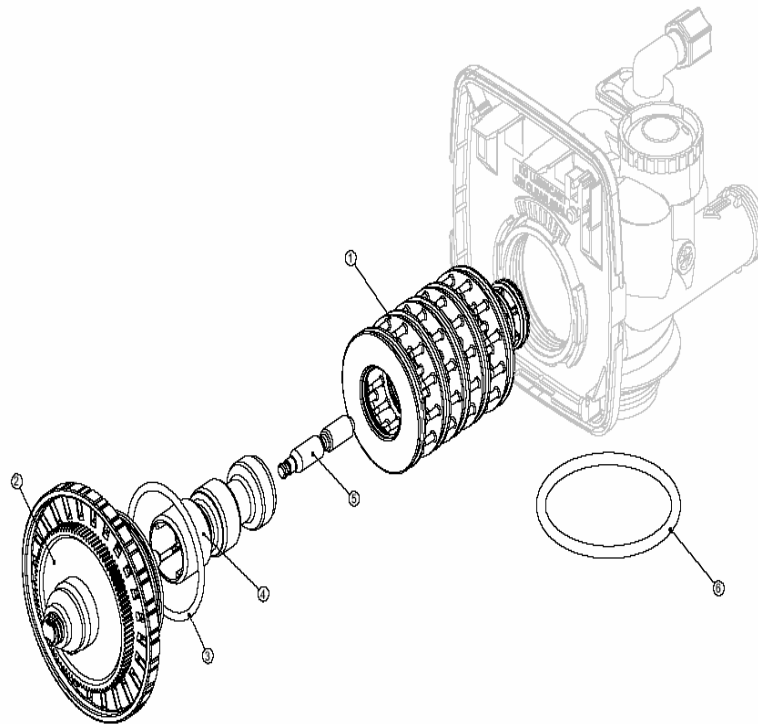


N°	Part No	Description	#	£
1	5303025107	WS1TC Front cover assembly	1	
2*	5303025068	WS1 Motor	1	
3*	5303025067	WS1 Drive bracket & spring clip	1	
4*	5303025071	WS1TC PC Board	1	
5*	5303025074	WS1 Drive reducing gear 12x36	3	
6*	5303025073	WS1 Drive gear cover	1	
	5303025050	WS1TC Drive assembly	*	
	5303024085	WS1 Adapter 220V-12V (European version)	1	
	5303024086	WS1 Adapter 220V-12V (UK version)	1	

* Parts 2 up to 6 can be ordered as a set, ref. 5303025050.

CLACK 1" TC

Drive cap assembly, downflow piston, regenerant

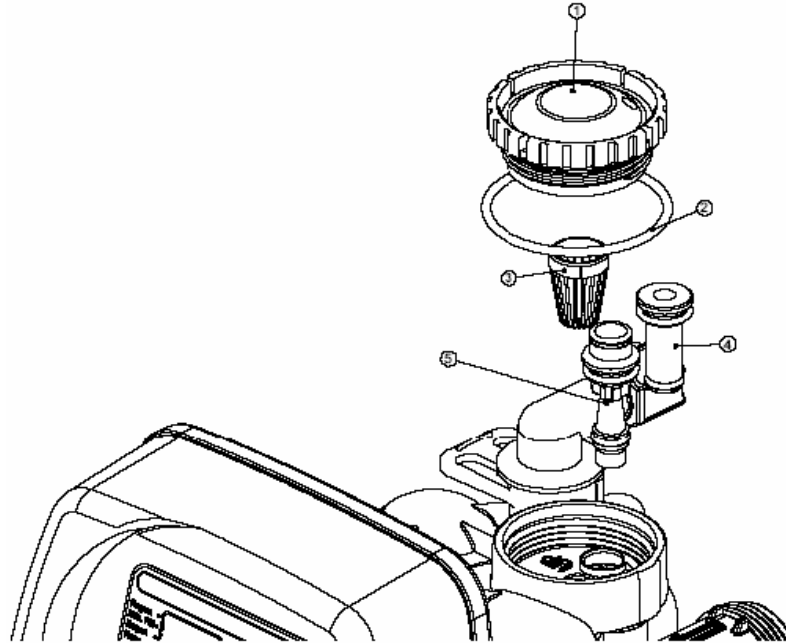


N°	Part No	Description	#	£
1	5303025054	WS1 Spacer stack assembly	1	
2	5303025053	WS1 Drive cap assembly	1	
3	5303023290	O-Ring 228	1	
4	5303025064	WS1 Piston downflow assembly	1	
5	5303025104	WS1 Regenerant piston	1	
6	5303023291	O-Ring 337	1	
	5303022165	O-Ring 215 (distributer tube)	1	

The regenerant piston is not used in backwash only applications.

CLACK 1" TC

Injector

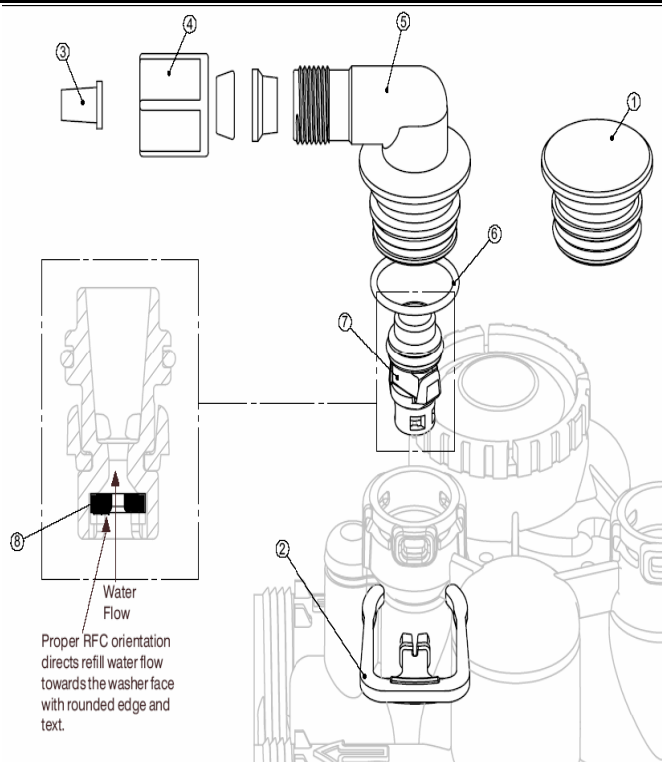


N°	Part No	Description	#	£
1	5303025108	WS1 Injector cap	1	
2	5303029462	O-Ring 135	1	
3	5303025109	WS1 Injector screen	1	
4	5303024122	WS1 Injector assembly Z Plug	1	
5	5303024111	WS1 Injector assly A Black (6" Downflow or 8" upflow)	1	
	5303024112	WS1 Injector assy B Brown (7" Downflow or 9" upflow)		
	5303024113	WS1 Injector assy C Violet (8" Downflow or 10" upflow)		
	5303024114	WS1 Injector assy D Red (9" Downflow or 12" upflow)		
	5303024115	WS1 Injector assy E White (10" Downflow or 13" upflow)		
	5303024116	WS1 Injector ass F Blue (12" Downflow or 14" upflow)		
	5303024117	WS1 Injector assy G Yellow (13" Downflow or 16" upflow)		
	5303024118	WS1 Injector assy H Green (14" Downflow or 18" upflow)		
	5303024119	WS1 Injector assy I Orange (16" Downflow or 22" upflow)		
	5303024120	WS1 Injector assembly J Light blue (18" Downflow)		
	5303024121	WS1 Injector assembly K Light green (22" Downflow)		
	5303028665	O-Ring 011	*	
	5303028666	O-Ring 013	*	

The injector plug and the injector each contain one 011 (lower) and 013 (upper) O-Ring.

CLACK 1" TC

Refill flow control

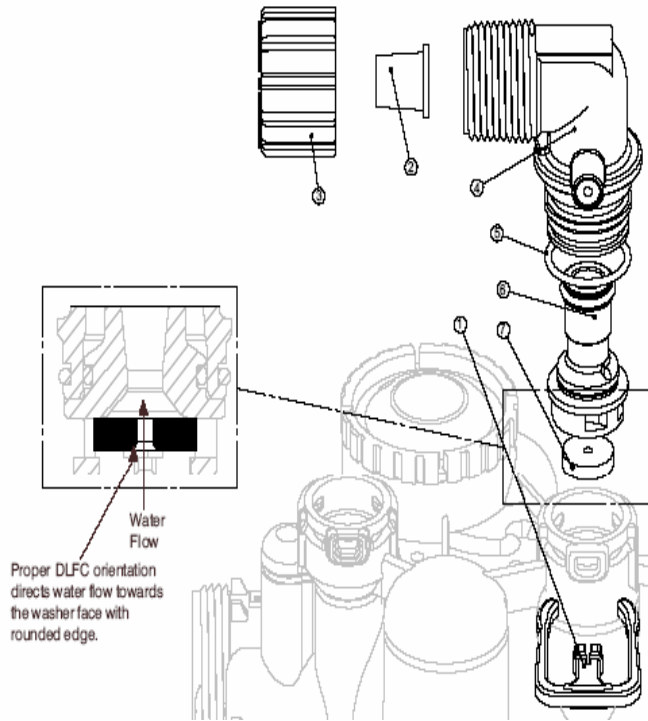


N°	Part No	Description	#	£
1	5303025125	WS1 Refill port plug assembly	1	
2	5303025041	Elbow locking clip	1	
3	5303025044	Polytube insert 3/8"	1	
4	5303025045	Nut 3/8"	1	
5	5303025040	Elbow cap 3/8"	1	
6	5303024403	O-Ring 019	1	
7*	5303025100	WS1 Refill flow control retainer assembly	1	
8	5303025111	WS1 Refill flow control	1	
	5303025043	Elbow 1/2" with nut and insert	Op	

* Assembly includes the RFC.

CLACK 1" TC

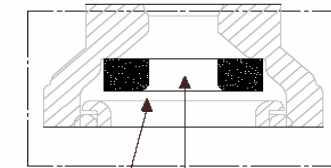
Drain line (3/4")



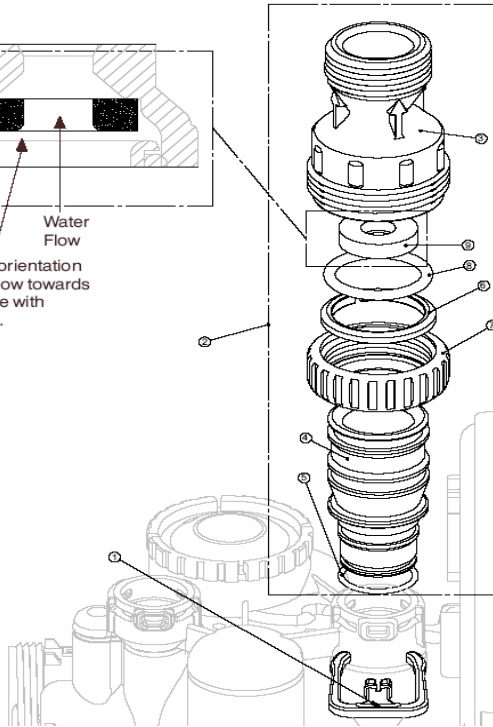
N°	Part No	Description	#	£
1	5303025041	Elbow locking clip	1	
2	5303024090	Polytube insert 5/8"	Op.	
3	5303024088	WS1 Nut 3/4" drain elbow (in 5/8 x 1/2 PE)	Op.	
4	5303025098	WS1 Drain elbow 3/4" male assembly	1	
5	5303024403	O-Ring 019	1	
6	5303025099	WS1 DLFC retainer assembly	1	
7	5303024091	WS1 DLFC 007 (0.7 gpm) for 3/4"	Use one DLFC if using 3/4" fittings	
	5303024092	WS1 DLFC 010 (1.0 gpm) for 3/4"		
	5303024093	WS1 DLFC 013 (1.3 gpm) for 3/4"		
	5303024094	WS1 DLFC 017 (1.7 gpm) for 3/4"		
	5303024095	WS1 DLFC 022 (2.2 gpm) for 3/4"		
	5303024096	WS1 DLFC 027 (2.7 gpm) for 3/4"		
	5303024097	WS1 DLFC 032 (3.2 gpm) for 3/4"		
	5303024098	WS1 DLFC 042 (4.2 gpm) for 3/4"		
	5303024099	WS1 DLFC 053 (5.3 gpm) for 3/4"		
	5303024100	WS1 DLFC 065 (6.5 gpm) for 3/4"		
	5303024101	WS1 DLFC 075 (7.5 gpm) for 3/4"		
	5303024102	WS1 DLFC 090 (9.0 gpm) for 3/4"		
	5303024103	WS1 DLFC 010 (10.0 gpm) for 3/4"		

CLACK 1" TC

Drain line (1")



Proper DLFC orientation directs water flow towards the washer face with rounded edge.

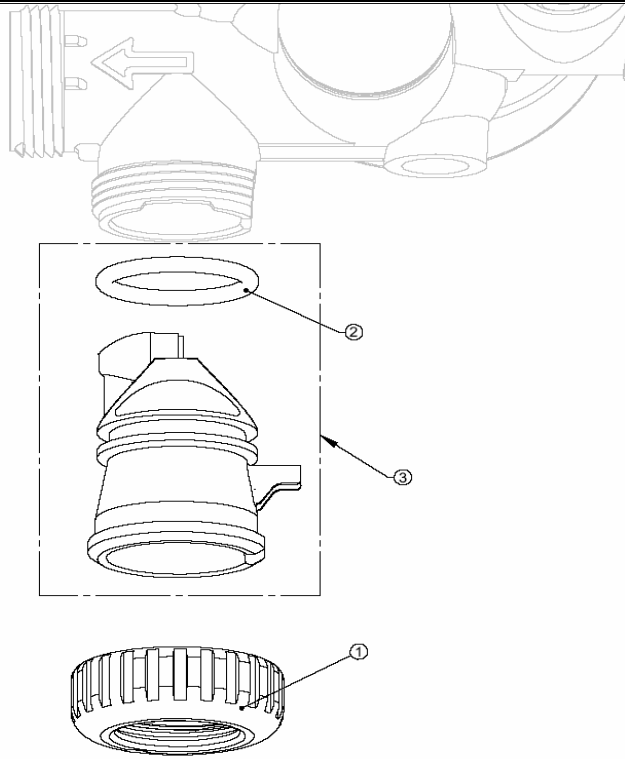


N°	Part No	Description	#	£
1	5303025041	Elbow locking clip	1	
2	5303024083	WS1 Drain fitting 1" straight	1	
3*	5303025101	WS1 Drain fitting body 1"	1	
4*	5303025102	WS1 Drain fitting adapter 1"	1	
5*	5303024403	O-Ring 019	1	
6*	5303025094	WS1 Split ring	1	
7*	5303025096	WS1 Nut 1" quick connect	1	
8*	5303022165	O-Ring 215	1	
9	5303025164	WS1 DLFC 090 (9.0 gpm) for 1"	Use one DLFC if using 1" fittings	
	5303024104	WS1 DLFC 100 (10.0 gpm) for 1"		
	5303024105	WS1 DLFC 110 (11.0 gpm) for 1"		
	5303024106	WS1 DLFC 130 (13.0 gpm) for 1"		
	5303024107	WS1 DLFC 150 (15.0 gpm) for 1"		
	5303024108	WS1 DLFC 170 (17.0 gpm) for 1"		
	5303024109	WS1 DLFC 200 (20.0 gpm) for 1"		
	5303024110	WS1 DLFC 250 (25.0 gpm) for 1"		

* Parts 3 up to 8 can be ordered as a set, ref. 5303024083.

CLACK 1" TC

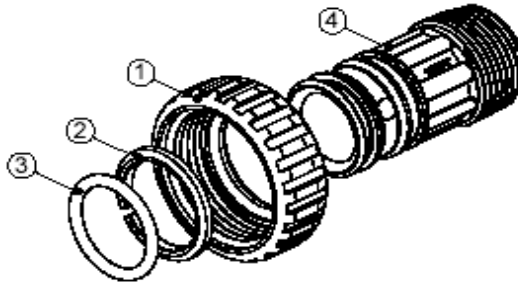
Water meter and mixing valve



N°	Part No	Description	#	£
1	5303025096	WS1 Nut 1" quick connect	1	
2	5303022165	O-Ring 215	1	
3	5303025052	WS1 Meter plug assembly	1	
6	5303025066	WS1 Mixing valve	1	

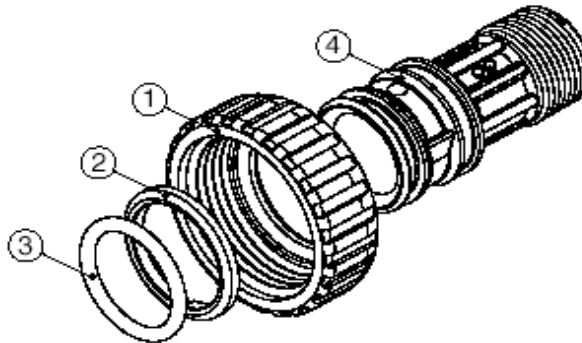
CLACK 1" TC

Installation fitting assemblies



N°	Part No	Description	#	£
1	5303025096	WS1 Nut 1" quick connect	2	
2	5303025094	WS1 Split ring	2	
3	5303022165	O-Ring 215	2	
4		WS1 Fitting 1" plastic male BSPT	2	
kit	5303024082	WS1 Fitting 1" plastic male BSPT assembly	kit	

* Part 4 is not sold separately.

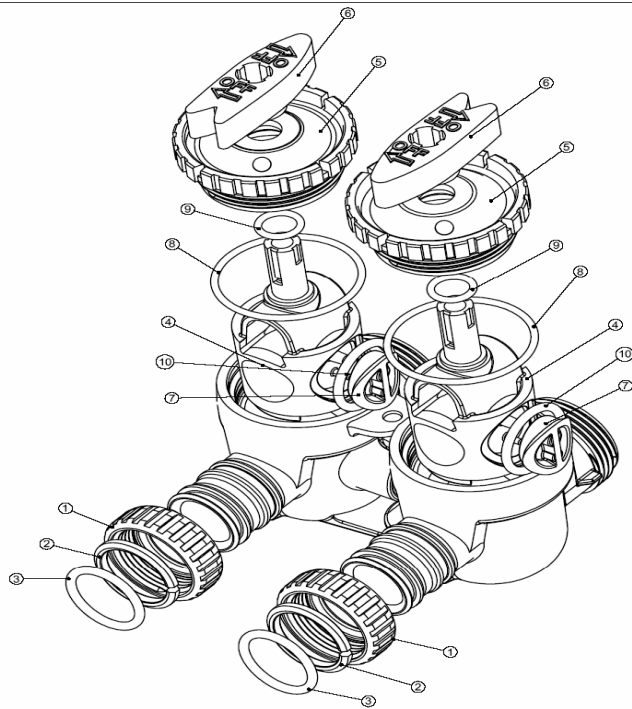


N°	Part No	Description	#	£
1	5303025096	WS1 Nut 1" quick connect	2	
2	5303025094	WS1 Split ring	2	
3	5303022165	O-Ring 215	2	
4		WS1 Fitting 3/4" plastic male BSPT	2	
kit	5303026540	WS1 Fitting 3/4" plastic male BSPT assembly	kit	

* Part 4 is not sold separately.

CLACK 1" TC

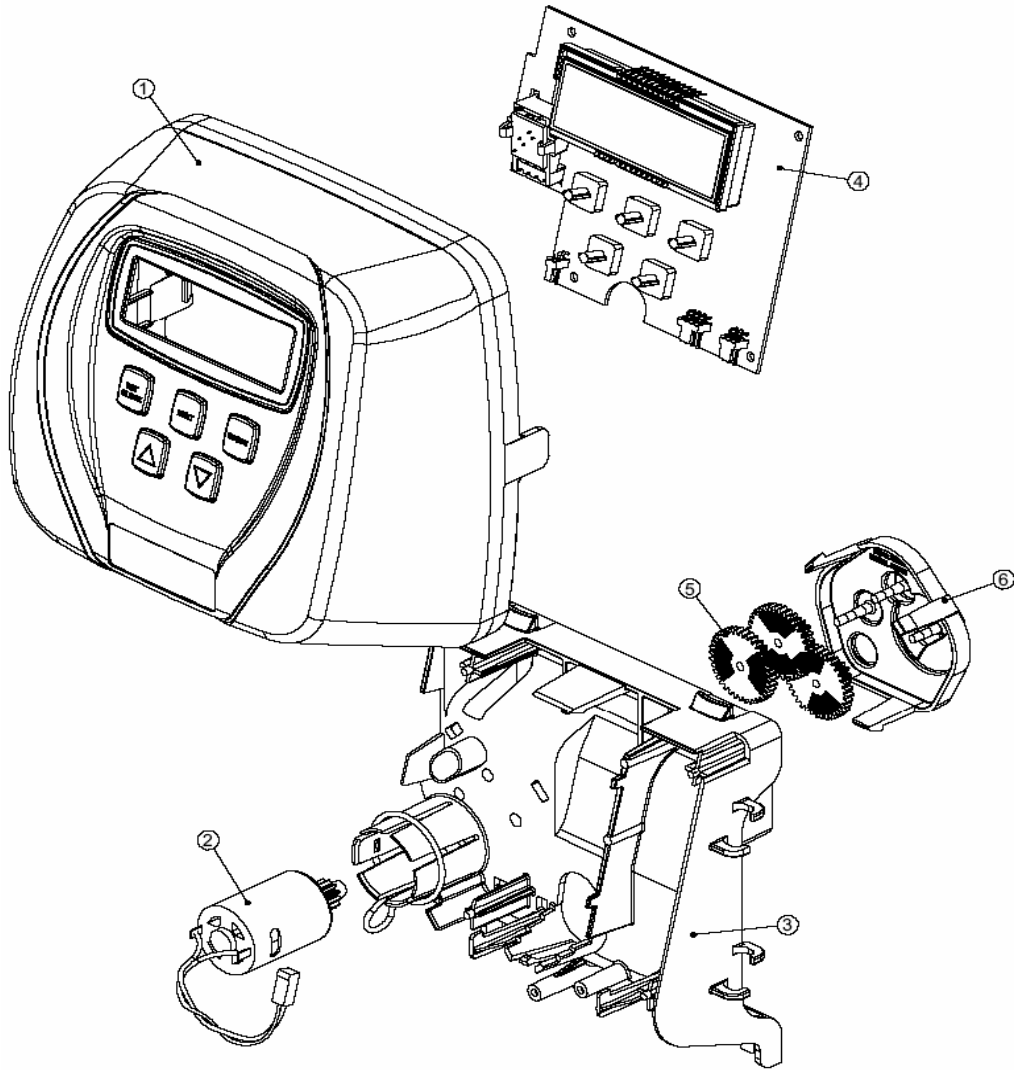
Bypass valve



N°	Part No	Description	#	£
1	5303025096	WS1 Nut 1" quick connect	2	
2	5303025094	WS1 Split ring	2	
3	5303022165	O-Ring 215	2	
4	5303025089	WS1 Bypass 1" rotor	2	
5	5303025090	WS1 Bypass cap	2	
6	5303025091	WS1 Bypass handle	2	
7	5303025092	WS1 Bypass rotor seal retainer	2	
8	5303029462	O-Ring 135	2	
9	5303028483	O-Ring 112	2	
10	5303028660	O-Ring 214	2	
	5303024075	WS1 Bypass assembly	kit	

CLACK 1" & 1.25" CI

Front cover and drive assembly

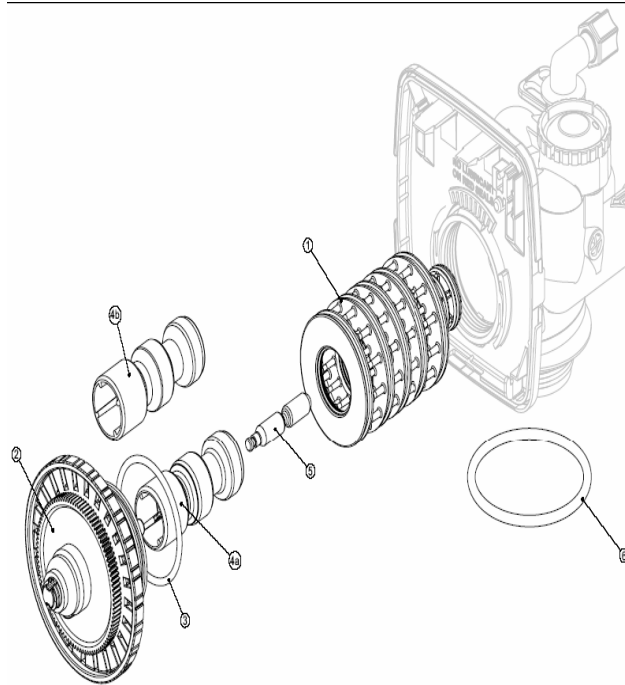


N°	Part No	Description	#	£
1	5303028712	WS1CI Front cover assembly	1	
2*	5303025068	WS1 Motor	1	
3*	5303025067	WS1 Drive bracket & spring clip	1	
4*	5303025070	WS1CI PC Board	1	
5*	5303025074	WS1 Drive gear 12x36	3	
6*	5303025073	WS1 Drive gear cover	1	
	5303025049	WS1CI Drive assembly	*	
	5303024086	WS1 Adapter 220V-12V (UK version)	1	

* Parts 2 up to 6 can be ordered as a set, ref. 5303025049.

CLACK 1" & 1.25" CI

Drive cap assembly, main piston, regenerant piston

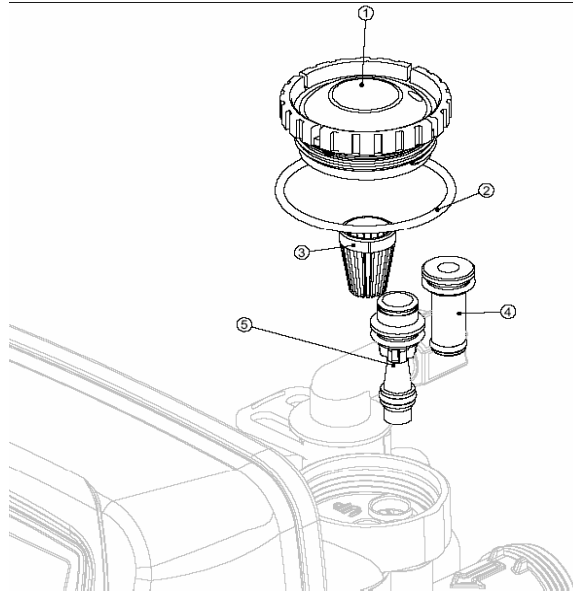


N°	Part No	Description	#	£
1	5303025054	WS1 Spacer stack assembly	1	
2	5303025053	WS1 Drive cap assembly	1	
3	5303023290	O-Ring 228	1	
4a	5303025064	WS1 Piston downflow assembly	1	
4b	5303025065	WS1 Piston upflow assembly	1	
5	5303025104	WS1 Regenerant piston	1	
6	5303023291	O-Ring 337	1	
	5303025110	WS1 Drive back plate	1	
	5303022165	O-Ring 215 (distributer tube)	1	

The regenerant piston is not used in backwash only applications.

CLACK 1" & 1.25" CI

Injector system

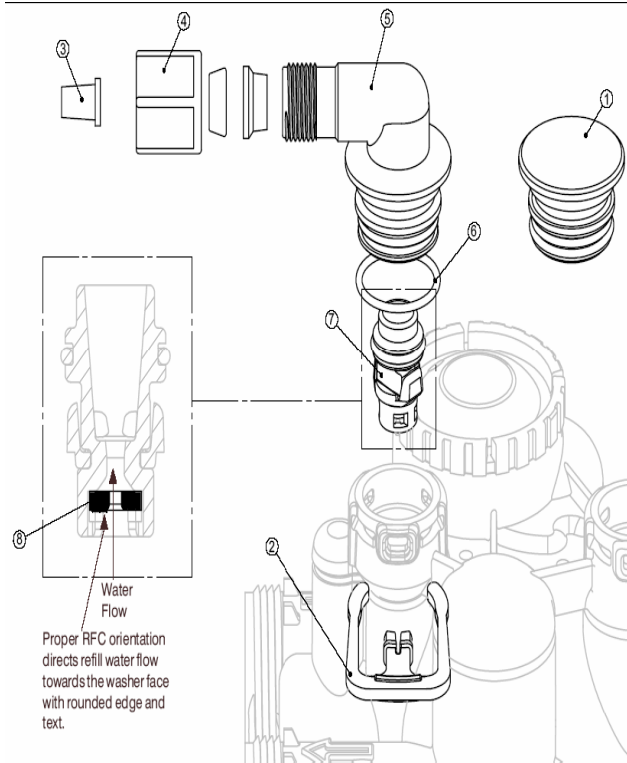


N°	Part No	Description	#	£
1	5303025108	WS1 Injector cap	1	
2	5303029462	O-Ring 135	1	
3	5303025109	WS1 Injector screen	1	
4	5303024122	WS1 Injector assembly Z Plug	1	
5	5303024111	WS1 Injector assembly A Black (6"Downflow or 8"upflow)	1	
	5303024112	WS1 Injector assembly B Brown (7"Downflow or 9"upflow)		
	5303024113	WS1 Injector assembly C Violet (8"Downflow or 10"upflow)		
	5303024114	WS1 Injector assembly D Red (9"Downflow or 12"upflow)		
	5303024115	WS1 Injector assy E White (10"Downflow or 13"upflow)		
	5303024116	WS1 Injector assy F Blue (12"Downflow or 14"upflow)		
	5303024117	WS1 Injector assy G Yellow (13"Downflow or 16"upflow)		
	5303024118	WS1 Injector assy H Green (14"Downflow or 18"upflow)		
	5303024119	WS1 Injector assy I Orange (16"Downflow or 22"upflow)		
	5303024120	WS1 Injector assembly J Light blue (18" Downflow)		
	5303024121	WS1 Injector assembly K Light green (22" Downflow)		
	5303028665	O-Ring 011	*	
	5303028666	O-Ring 013	*	

The injector plug and the injector each contain one 011 (lower) and 013 (upper) O-Ring.

CLACK 1" & 1.25" CI

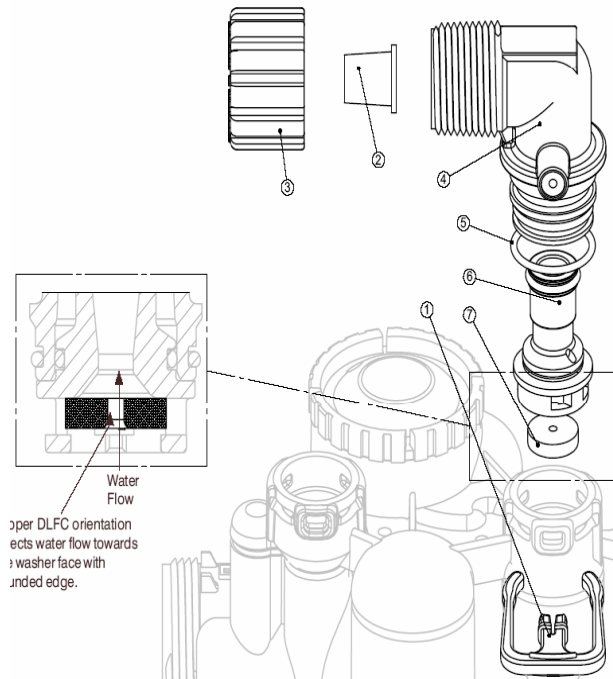
Refill flow control



N°	Part No	Description	#	£
1	5303025125	WS1 Refill port plug assembly	1	
2	5303025041	Elbow locking clip	1	
3	5303025044	Polytube insert 3/8"	1	
4	5303025045	Nut 3/8"	1	
5	5303025040	Elbow Cap 3/8"	1	
6	5303024403	O-Ring 019	1	
7	5303025100	WS1 Refill flow control retainer assembly	1	
8	5303025111	WS1 Refill flow control	1	
	5303025043	Elbow 1/2" with nut and insert	Op.	

CLACK 1" & 1.25" CI

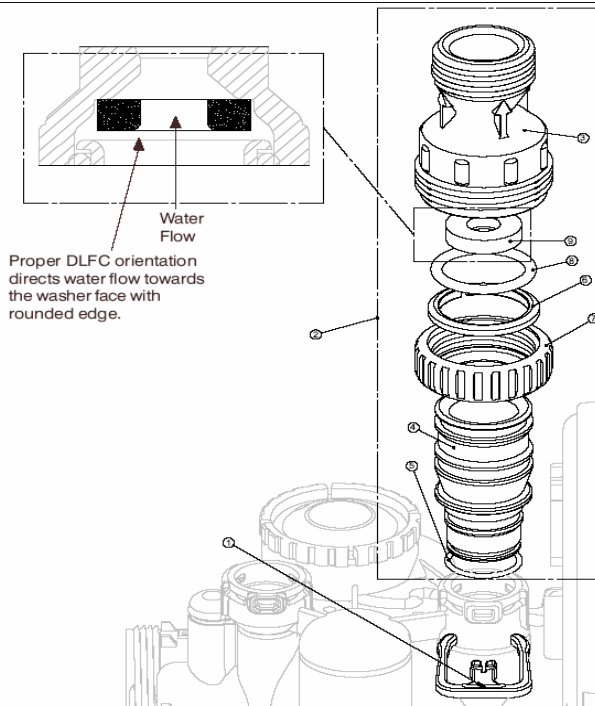
Drain line flow control (3/4")



N°	Part No	Description	#	£
1	5303025041	Elbow locking clip	1	
2	5303024090	Polytube insert 5/8"	Op.	
3	5303024088	WS1 Nut 3/4" for drain elbow (In 5/8 x 1/2 PE)	Op.	
4	5303025098	WS1 Drain elbow 3/4" male assembly	1	
5	5303024403	O-Ring 019	1	
6	5303025099	WS1 DLFC Retainer assembly	1	
7	5303024091	WS1 DLFC 007 (0.7 gpm) for 3/4"	Use one DLFC if using 3/4" fittings	
	5303024092	WS1 DLFC 010 (1.0 gpm) for 3/4"		
	5303024093	WS1 DLFC 013 (1.3 gpm) for 3/4"		
	5303024094	WS1 DLFC 017 (1.7 gpm) for 3/4"		
	5303024095	WS1 DLFC 022 (2.2 gpm) for 3/4"		
	5303024096	WS1 DLFC 027 (2.7 gpm) for 3/4"		
	5303024097	WS1 DLFC 032 (3.2 gpm) for 3/4"		
	5303024098	WS1 DLFC 042 (4.2 gpm) for 3/4"		
	5303024099	WS1 DLFC 053 (5.3 gpm) for 3/4"		
	5303024100	WS1 DLFC 065 (6.5 gpm) for 3/4"		
	5303024101	WS1 DLFC 075 (7.5 gpm) for 3/4"		
	5303024102	WS1 DLFC 090 (9.0 gpm) for 3/4"		
5303024103	WS1 DLFC 010 (10.0 gpm) for 3/4"			

CLACK 1" & 1.25" CI

Drain line flow control (1")

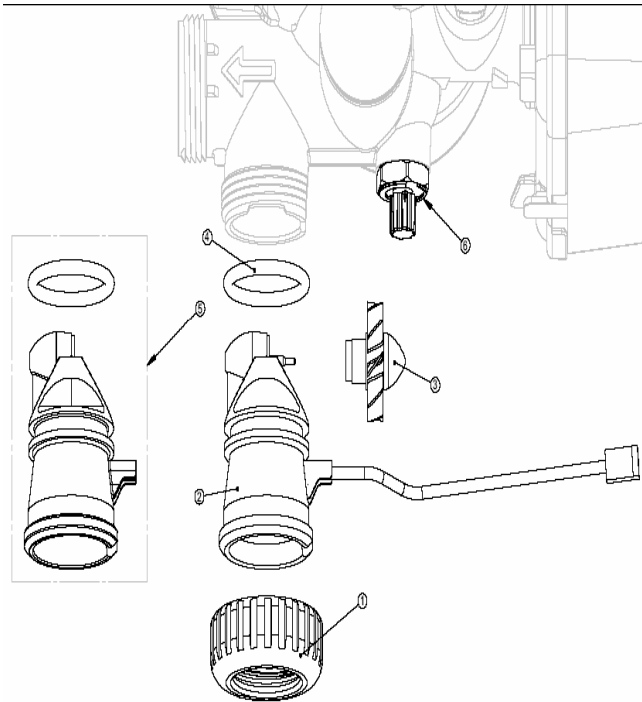


N°	Part No	Description	#	£
1	5303025041	Elbow locking clip	1	
2	5303024083	WS1 DLFC 1" straight assembly	1	
3*	5303025101	WS1 Drain body 1"	1	
4*	5303025102	WS1 Drain adapter 1"	1	
5*	5303024403	O-Ring 019	1	
6*	5303025094	WS1 Split ring	1	
7*	5303025096	WS1 Nut 1" quick connect	1	
8*	5303022165	O-Ring 215	1	
9	5303025164	WS1 DLFC 090 (9.0 gpm) for 1"	Use one DLFC if using 1" fittings	
	5303024104	WS1 DLFC 100 (10.0 gpm) for 1"		
	5303024105	WS1 DLFC 110 (11.0 gpm) for 1"		
	5303024106	WS1 DLFC 130 (13.0 gpm) for 1"		
	5303024107	WS1 DLFC 150 (15.0 gpm) for 1"		
	5303024108	WS1 DLFC 170 (17.0 gpm) for 1"		
	5303024109	WS1 DLFC 200 (20.0 gpm) for 1"		
	5303024110	WS1 DLFC 250 (25.0 gpm) for 1"		

* Parts 3 up to 8 can be ordered as a set, ref. 5303024083.

CLACK 1" & 1.25" CI

Water meter and mixing valve

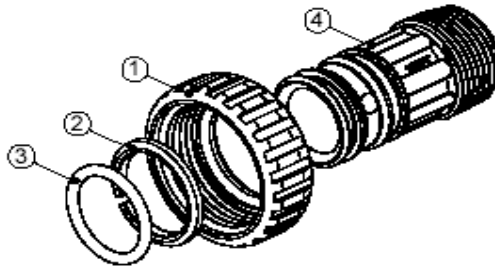


N°	Part No	Description	#	£
1	5303025096	WS1 Nut 1" quick connect	1	
2	5303025051	WS1 Meter assembly	1	
3*	5303025088	WS1 Turbine assembly	1	
4*	5303022165	O-Ring 215	1	
5	5303025052	WS1 Meter plug assembly	1	
6	5303025066	WS1 Mixing valve	1	

* Parts 3 and 4 can be ordered as a set, ref. 5303025051.

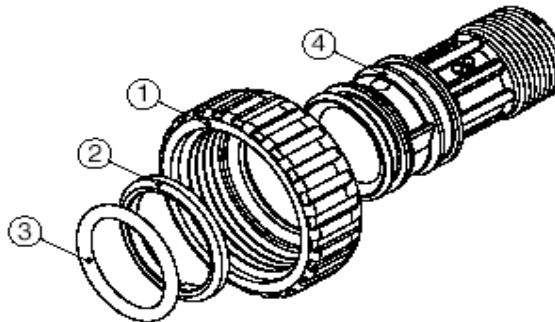
CLACK 1" & 1.25" CI

Installation fitting assemblies



N°	Part No	Description	#	£
1	5303025096	WS1 Nut 1" quick connect	2	
2	5303025094	WS1 Split ring	2	
3	5303022165	O-Ring 215	2	
4		WS1 Fitting 1" plastic male BSPT	2	
kit	5303024082	WS1 Fitting 1" plastic male BSPT assembly	kit	

* Part 4 is not sold separately.

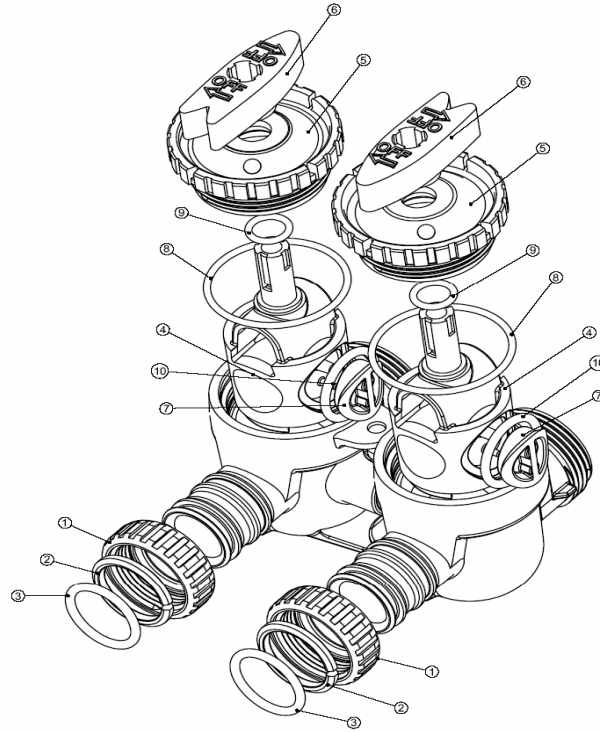


N°	Part No	Description	#	£
1	5303025096	WS1 Nut 1" quick connect	2	
2	5303025094	WS1 Split ring	2	
3	5303022165	O-Ring 215	2	
4		WS1 Fitting 3/4" plastic male BSPT	2	
kit	5303026540	WS1 Fitting 3/4" plastic male BSPT assembly	kit	

* Part 4 is not sold separately.

CLACK 1" & 1.25" CI

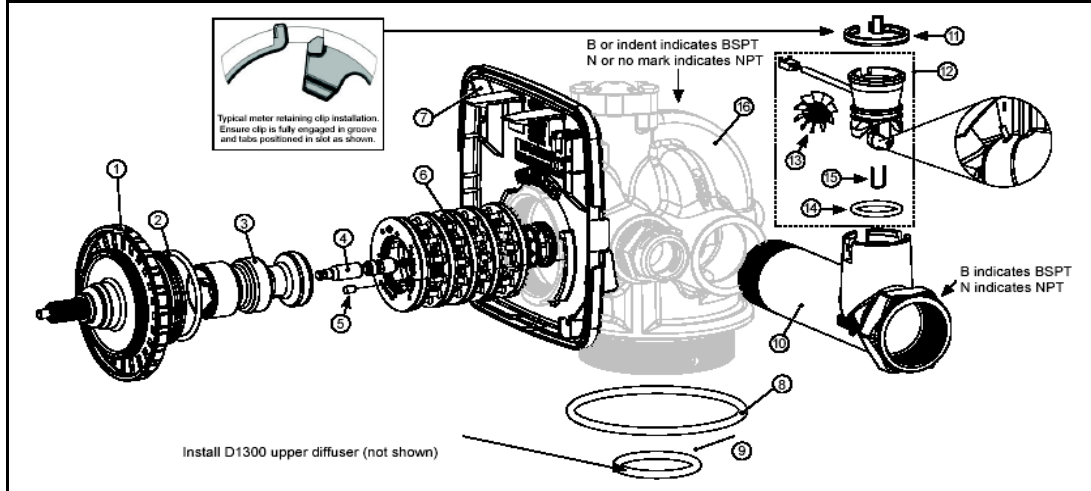
Bypass valve



N°	Part No	Description	#	£
1	5303025096	WS1 Nut 1" quick connect	2	
2	5303025094	WS1 Split ring	2	
3	5303022165	O-Ring 215	2	
4	5303025089	WS1 Bypass 1" rotor	2	
5	5303025090	WS1 Bypass cap	2	
6	5303025091	WS1 Bypass handle	2	
7	5303025092	WS1 Bypass rotor seal retainer	2	
8	5303029462	O-Ring 135	2	
9	5303028483	O-Ring 112	2	
10	5303028660	O-Ring 214	2	
kit	5303024075	WS1 Bypass assembly	kit	

CLACK WS1.5", 2" & 2" QC

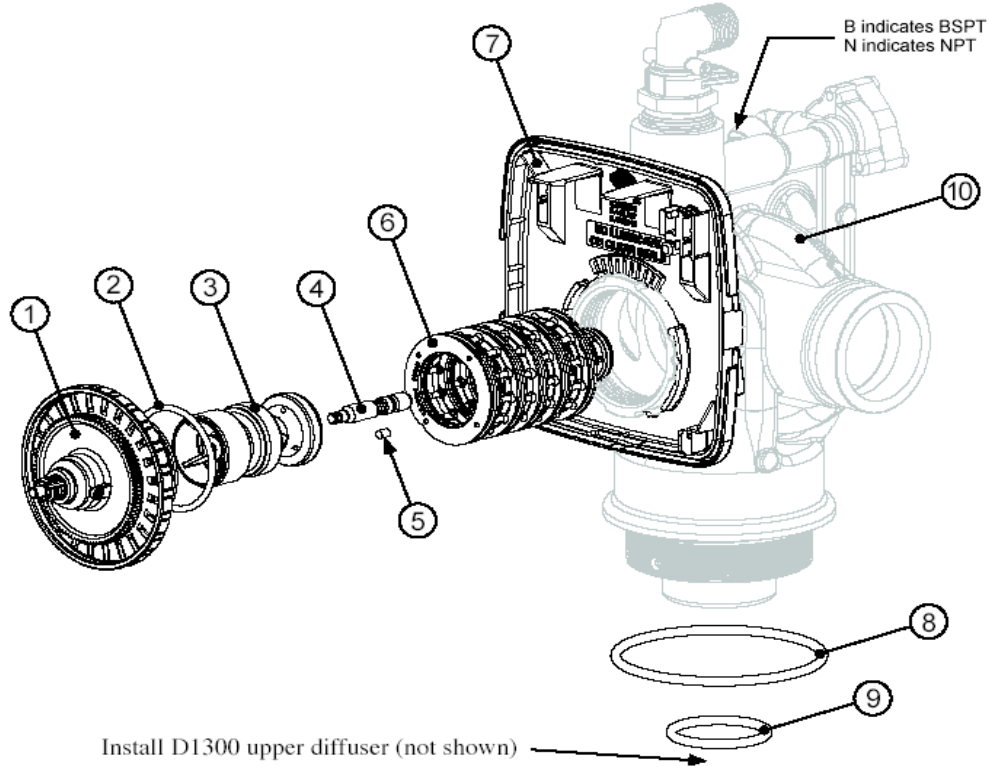
Drive cap assembly, pistons, spacer stack assembly, main body & meter



N°	Part No	Description	#	£
1	5303025053	Drive cap assembly	1	
2	5303023290	O-Ring 228	1	
3	5303028210	Piston downflow assembly	1	
4a	5303025104	Regenerant piston (not used for backwash only valves)	1	
4b	5303029313	Injector plug (used for backwash only valves)	1	
	5303025125	Refill port plug assembly used for backwash only valves)	1	
5	5303021033	Backplate dowel	1	
6	5303028213	Spacer stack assembly	1	
7		Back plate	1	
8	5303021031	O-Ring 347	1	
9	5303021030	O-Ring 328 (for valve bodies with NPT threads)	1	
	5303021035	O-Ring 226 (for valve bodies with BSPT threads)		
-	5303021034	Flow straightener (located inside meter housing)	1	
10	5303021024	Meter housing	1	
	5303025079	Meter housing BSPT		
11	5303020006	Meter retaining clip (new style - 2008)	1	
	5303028673	Meter retaining clip (old style)		
12	5303028147	Meter commercial assy (incl. n° 13 + 14 + 15)	1	
13	5303020010	Turbine assembly	1	
14	5303022165	O-Ring 215	1	
15	5303020011	Turbine clip	1	
16	5303021022	Valve body downflow	1	
	5303021023	Valve body downflow BSPT		
-	5303021064	Top baffle diffuser	1	

CLACK WS2L

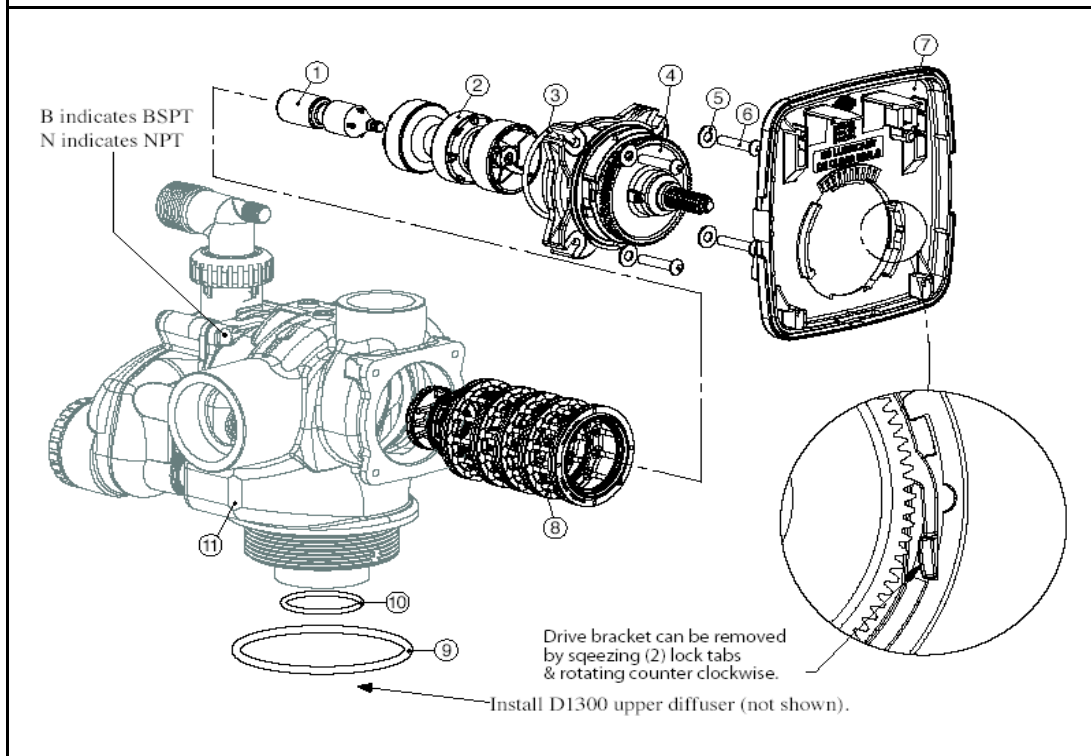
Drive cap assembly, pistons, spacer stack assembly & main body



N°	Part No	Description	#	£
1	5303025053	Drive cap assembly	1	
2	5303023290	O-Ring 228	1	
3	5303028210	Piston downflow assembly	1	
4a	5303025104	Regenerant piston (not used for backwash only valves)	1	
4b	5303029313	Injector plug (used for backwash only valves)	1	
	5303025125	Refill port plug assembly (used for backwash only valves)	1	
5	5303021033	Backplate dowel	1	
6	5303028213	Spacer stack assembly	1	
7		Back plate	1	
8	5303021031	O-Ring 347	1	
9	5303021030	O-Ring 328 (for valve bodies with NPT threads)	1	
	5303021035	O-Ring 226 (for valve bodies with BSPT threads)		
-		Tube poly 3/4 x 1/4 - Roll of 500'	0	
-		Elbox fix 3/8 x 1/4 NPTF Polypro	2	
10*	5303021040	Body NPT + Plug (*)	1	
	5303021041	Body BSPT + Plug (*)		
*	5303021228	Plug NPT (incl. in n° 10)	2	
	5303020012	Plug BSPT (incl. in n° 10)		
-	5303021064	Top baffle diffuser	1	

CLACK WS2

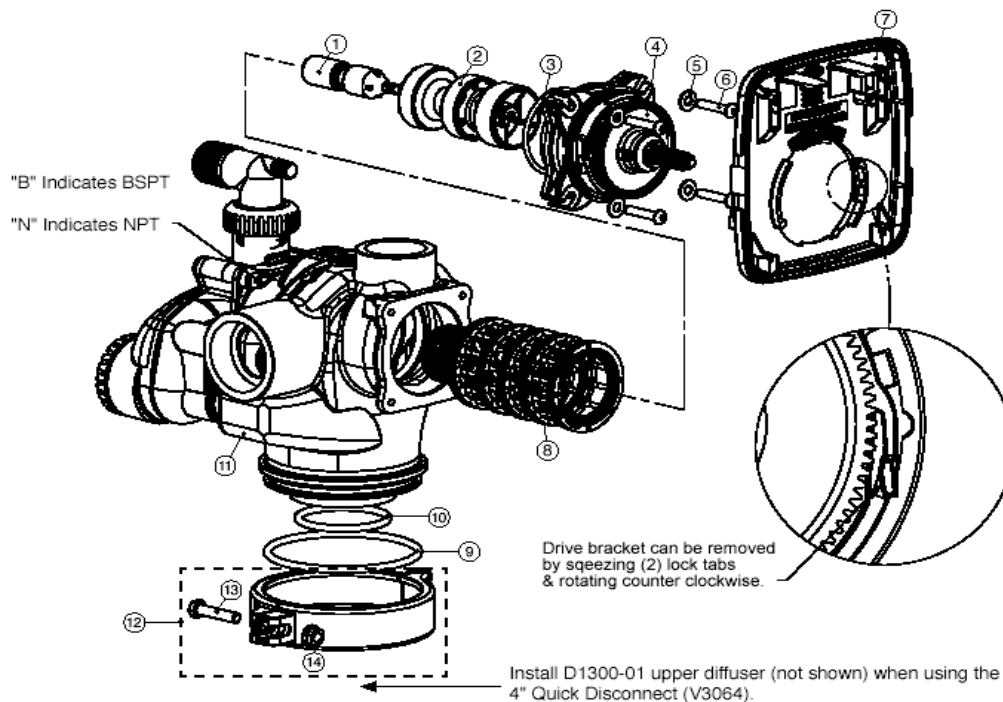
Drive cap assembly, pistons, spacer stack



N°	Part No	Description	#	£
1	5303021704	Brine piston assy	1	
2	5303021703	Piston downflow assy	1	
3	5303020013	O-Ring 230	1	
4	5303021706	Drive cap assembly	1	
5	5303021702	Washer	4	
6	5303020014	Bolt	4	
7		Back plate	1	
8	5303021707	Spacer stack assembly	1	
9	5303021031	O-Ring 347	1	
10	5303020015	O-Ring 225 (for valve bodies with NPT threads)	1	
	5303021035	O-Ring 226 (for valve bodies with BSPT threads)		
11	5303021701	Body BSPT	1	
-	5303021228	Plug NPT	1	
-	5303020012	Plug BSPT		
-	5303021064	Top baffle diffuser	1	

CLACK WS2QC

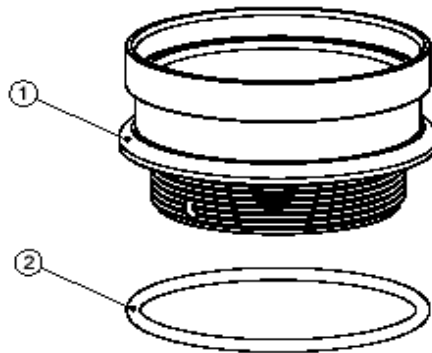
Drive cap assembly, pistons, spacer stack assembly & main body



N°	Part No	Description	#	£
1	5303021704	Brine piston assy	1	
2	5303021703	Piston downflow assy	1	
3	5303020013	O-Ring 230	1	
4	5303021706	Drive cap assembly	1	
5	5303021702	Washer flat	4	
6	5303020014	Bolt	4	
7		Back plate	1	
8	5303021707	Spacer stack assembly	1	
9	5303021210	O-Ring 346	1	
10	5303021212	O-Ring 332 (for valve bodies with NPT threads)	1	
	5303020013	O-Ring 230 (for valve bodies with BSPT threads)		
11	5303020017	Body QC NPT	1	
	5303020018	Body QC BSPT		
12	5303021079	4" Base clamp assy (incl. n° 13 + 14)	1	
13	5303021207	Bolt	1	
14	5303021201	Nut	1	
-	5303021228	Plug NPT	1	
	5303020012	Plug BSPT		
-	5303021064	Top baffle diffuser	1	

CLACK WS2H - WS2L

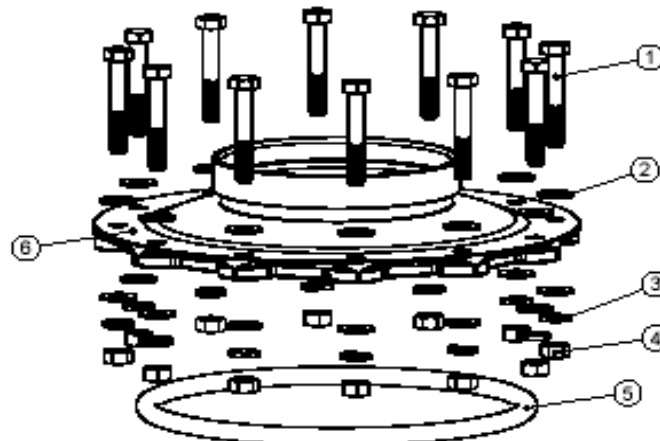
4" Base



N°	Part No	Description	#	£
1	5303028669	Base	1	
2	5303021213	O-Ring 348	1	
1-2	5303028623	4" Base assembly		

CLACK WS2H - WS2L

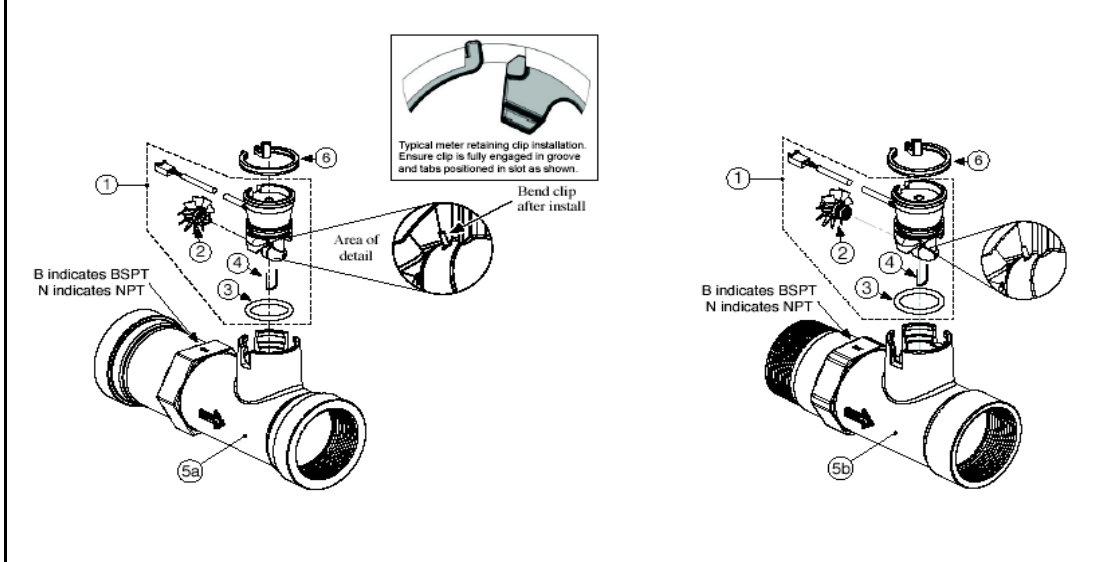
Flange base



N°	Part No	Description	#	£
1	5303020019	Screw	12	
2	5303021226	Washer flat	24	
3	5303020020	Washer split lock	12	
4	5303020021	Nut	12	
5	5303020022	O-Ring	1	
6	5303021001	Flange base	1	
1-6	5303028617	Flange base assembly		

CLACK WS2 - WS2L

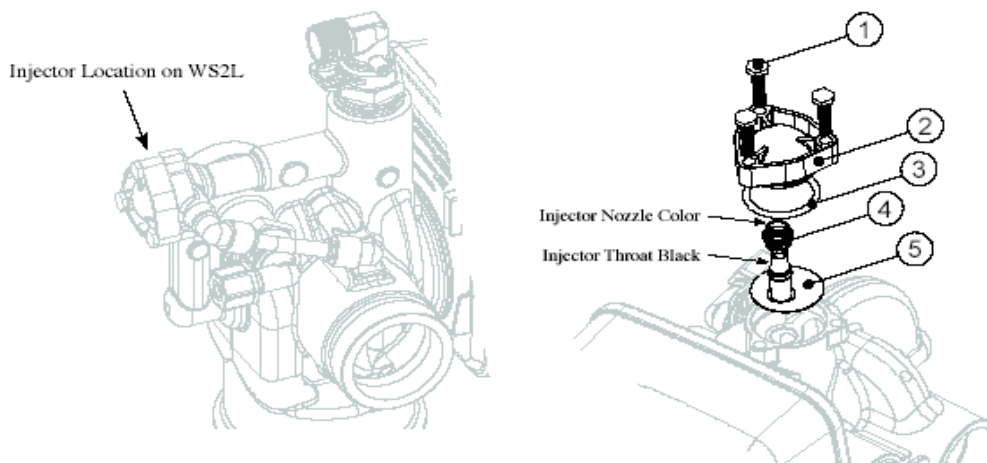
Meter assembly



N°	Part No	Description	#	£
1	5303028147	Commercial meter assy (= n° 2 + 3 + 4)	1	
2	5303020010	Turbine assembly	1	
3	5303022165	O-Ring 215	1	
4	5303020011	Turbine clip	1	
5a	5303028672	Meter housing BSPT FxF	1	
5b	5303020024	Meter housing BSPT MxF	1	
6	5303020006	Meter retaining clip (new style - 2008)	1	
	5303028673	Meter retaining clip (old style)		
-	5303020025	Flow straightener	1	

CLACK - WS2L

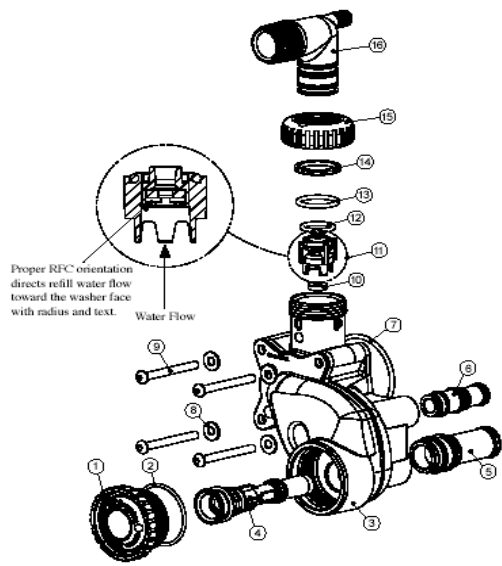
system



N°	Part No	Description	#	£
1	5303021032	Bolt	3	
2	5303028209	Injector cap	1	
3	5303021029	O-Ring 220	1	
4	5303028202	Injector assy B violet (incl. o-ring 012 + 013)	1	
	5303028204	Injector assy C red (incl. o-ring 012 + 013)		
	5303028205	Injector assy D white (incl. o-ring 012 + 013)		
	5303028206	Injector assy E blue (incl. o-ring 012 + 013)		
	5303028207	Injector assy F yellow (incl. o-ring 012 + 013)		
	5303028208	Injector assy G green (incl. o-ring 012 + 013)		
	5303028652	Injector assy H orange (incl. o-ring 012 + 013)		
	5303029313	Injector plug (incl. o-ring 012 + 013)		
5	5303029314	Injector screen	1	
-	5303028666	O-Ring 013	*	
-	5303021028	O-Ring 012	*	

CLACK WS2

Injector system



N°	Part No	Description	#	£
1	5303021233	Injector cap	1	
2	5303029462	O-Ring 135	1	
3	5303021705	Injector body assy	1	
4	5303020026	Injector assy R	1	
	5303020027	Injector assy S		
	5303020028	Injector assy T		
	5303020029	Injector assy U		
	5303020030	Injector assy V		
	5303020031	Injector assy W		
	5303020032	Injector assy X		
	5303021065	Injector assy A		
	5303021066	Injector assy B		
	5303021067	Injector assy C		
5303021068	Injector assy D			
5303021069	Injector assy E			
5303021070	Injector assy F			
5303021071	Injector assy G			
5	5303021727	Injector draw tube down assy (incl. 1 x o-ring 118 + 2 x 119)	1	
6	5303021708	Injector feed tube down assy (incl. 3 x o-ring 113)	1	
7	5303020033	O-Ring 231	1	
8	5303021702	Washer flat	4	
9	5303020034	Bolt	4	
10*	5303024095	DLFC 022 (2.2 gpm) for 3/4"	1	
11	5303021096	Refill flow control retainer assembly	1	

CLACK WS2

Injector system (continued)

12	5303021208	O-Ring 211	1	
13	5303022165	O-Ring 215	1	
14	5303025094	Split ring	1	
15	5303025096	Nut 1" quick connect	1	
16	5303025093	Fitting 1" PVC male NPT elbow	1	
- (a)	5303025124	Fitting 3/4" & 1" PVC solvent elbow	Op.	
- (b)		Fitting kit 494	Op.	
- (c)	5303020035	Fitting cap 1" threaded	Op.	

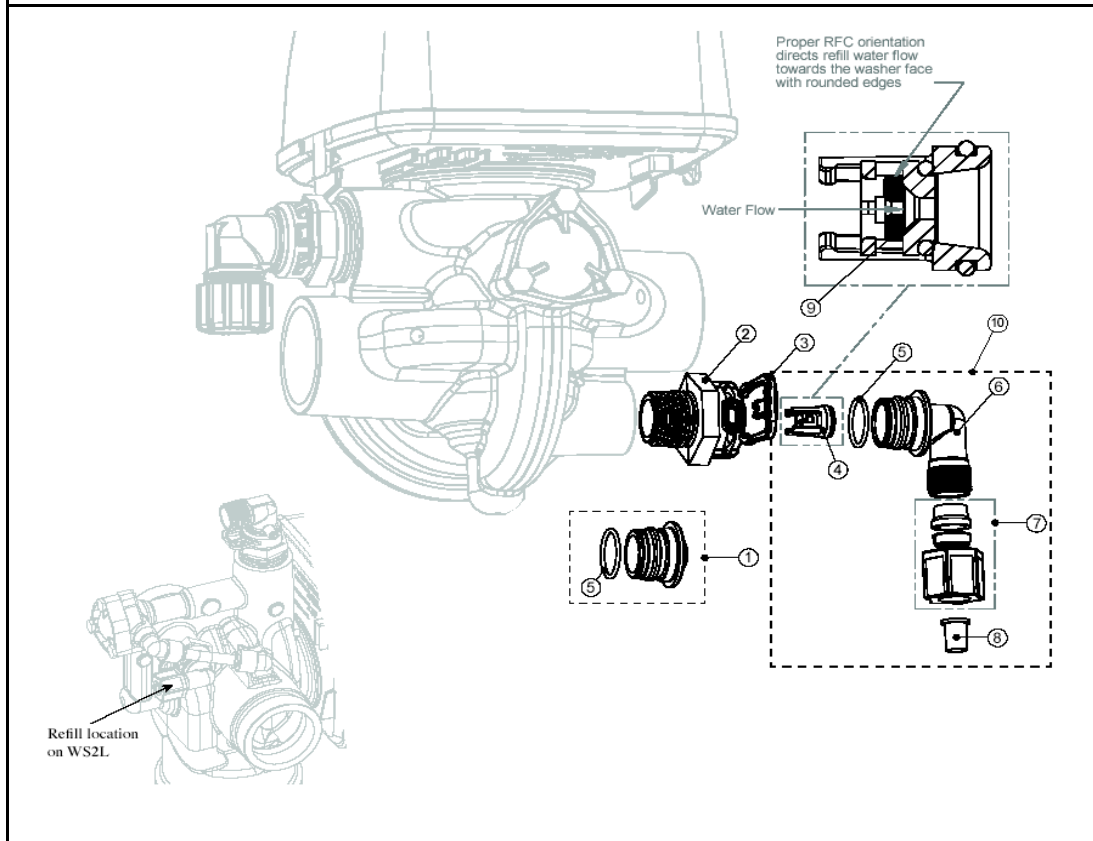
* Any DLFC from 0.7 up to 10.0 gpm can be used (5303024091 up to 5303024103).

The WS2 valve is delivered standard with 2.2 gpm DLFC.

Backwash only valves include part (c), but do not include the parts n° 10, 11, 12, (a) & (b).

CLACK & WS2L

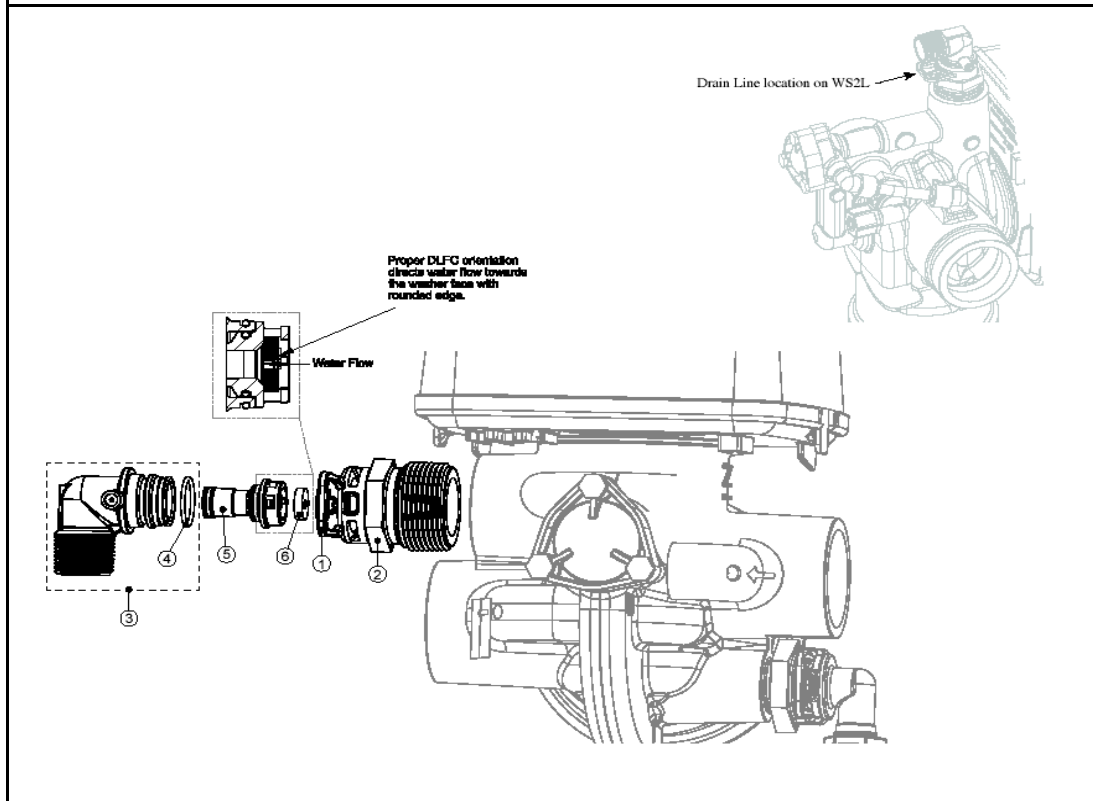
Refill flow control



N°	Part No	Description	#	£
1	5303025125	Refill port plug assembly	1	
2	5303021027	BLFC Adapter	1	
3	5303025041	Retaining clip	1	
4	5303028212	Refill flow control retainer assembly (incl. n° 9)	1	
5	5303024403	O-Ring 019	1	
6	5303028640	Elbow cap 1/2"	1	
7	5303028644	Nut 1/2" black	1	
8	5303028643	Polytube insert 1/2"	1	
9	5303025111	Refill flow control	1	
10	5303020036	Brine elbow assy with RFC 1/2"	Op.	
-	5303028715	Refill assembly 5/8 x 3/4	Op.	

CLACK & WS2L

Drain line flow control ($\frac{3}{4}$ ")

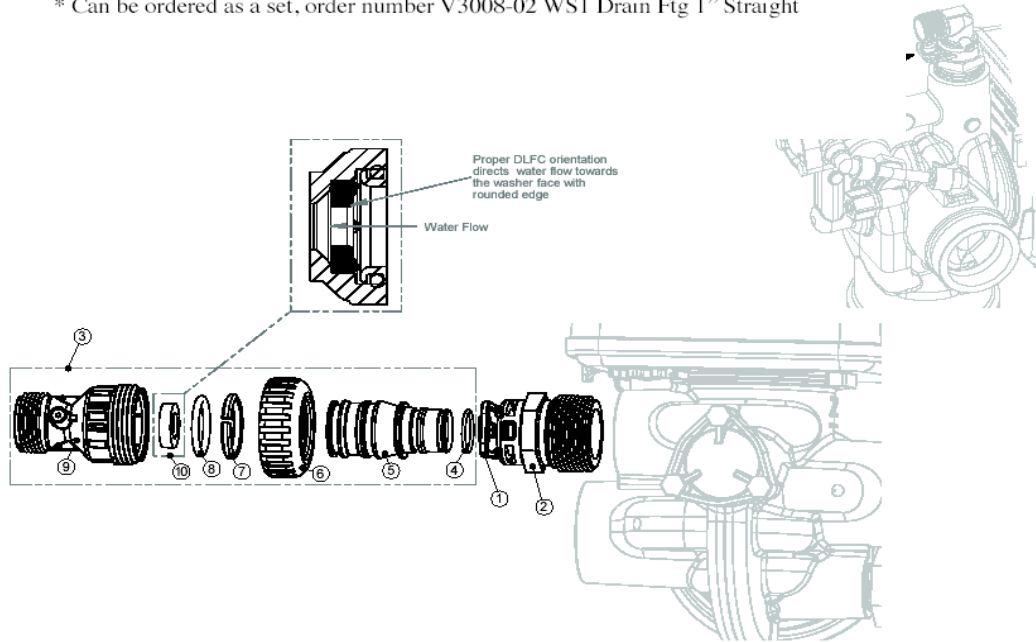


N°	Part No	Description	#	£
1	5303025041	Locking clip	1	
2	5303021026	DLFC Adapter	1	
3	5303025098	Drain elbow $\frac{3}{4}$ " BSP male assembly	1	
4	5303024403	O-Ring 019	1	
5	5303025099	DLFC retainer assembly	1	
6	5303024097	DLFC 032 (3.2 gpm / 12,1 lpm) for $\frac{3}{4}$ "	Use one DLFC if using $\frac{3}{4}$ " fittings	
	5303024098	DLFC 042 (4.2 gpm / 15,9 lpm) for $\frac{3}{4}$ "		
	5303024099	DLFC 053 (5.3 gpm / 20,1 lpm) for $\frac{3}{4}$ "		
	5303024100	DLFC 065 (6.5 gpm / 24,6 lpm) for $\frac{3}{4}$ "		
	5303024101	DLFC 075 (7.5 gpm / 28,4 lpm) for $\frac{3}{4}$ "		
	5303024102	DLFC 090 (9.0 gpm / 34,1 lpm) for $\frac{3}{4}$ "		
	5303024103	DLFC 100 (10.0 gpm / 37,9 lpm) for $\frac{3}{4}$ "		
3+5	5303020037	Drain elbow & retainer assembly		

CLACK & WS2L

Drain line flow control (1")

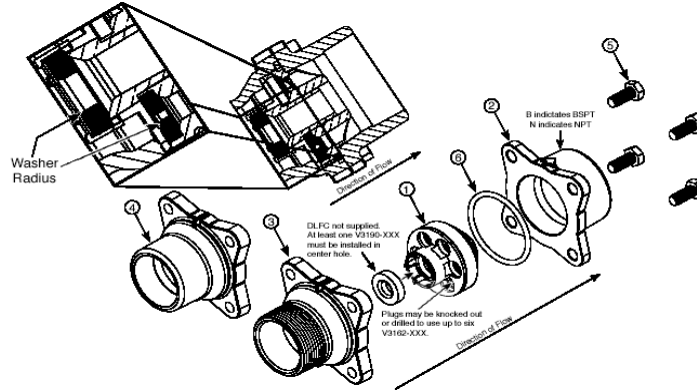
* Can be ordered as a set, order number V3008-02 WS1 Drain Ftg 1" Straight



N°	Part No	Description	#	£
1	5303025041	Locking clip	1	
2	5303021026	DLFC Adapter	1	
3	5303024083	Drain fitting 1" straight BSP (= n° 4 + 5 + 6 + 7 + 8 + 9)	1	
4	5303024403	O-Ring 019	1	
5	5303025102	Drain fitting adapter 1"	1	
6	5303025096	Nut 1" quick connect	1	
7	5303025094	Split ring	1	
8	5303022165	O-Ring 215	1	
9	5303025101	Drain fitting body 1" BSP	1	
10	5303025164	DLFC 090 (9.0 gpm / 34.1 lpm)	for 1"	Use one DLFC if using 1" fittings
	5303024104	DLFC 100 (10.0 gpm / 37.9 lpm)	for 1"	
	5303024105	DLFC 110 (11.0 gpm / 41.6 lpm)	for 1"	
	5303024106	DLFC 130 (13.0 gpm / 49.2 lpm)	for 1"	
	5303024107	DLFC 150 (15.0 gpm / 56.8 lpm)	for 1"	
	5303024108	DLFC 170 (17.0 gpm / 64.4 lpm)	for 1"	
	5303024109	DLFC 200 (20.0 gpm / 75.7 lpm)	for 1"	
	5303024110	DLFC 250 (25.0 gpm / 94.6 lpm)	for 1"	

CLACK

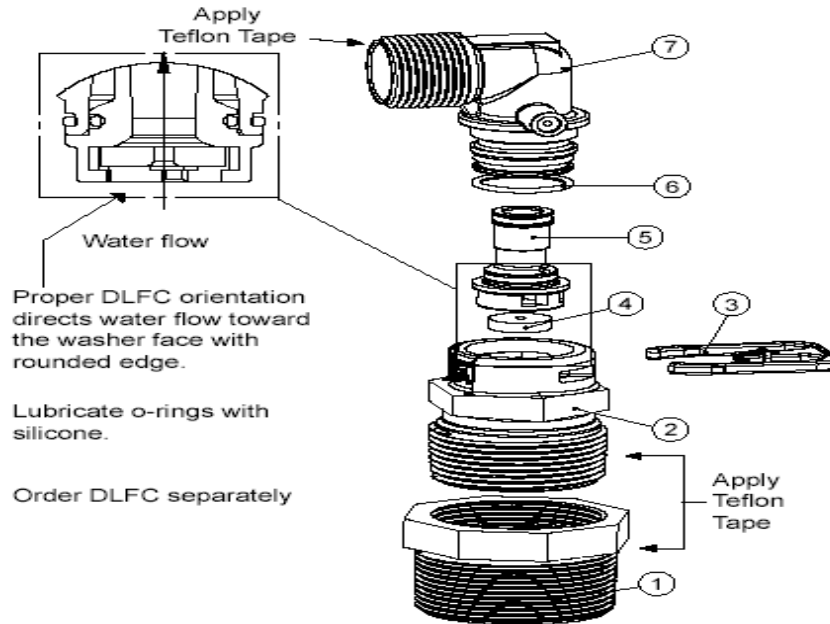
Drain line flow control



N°	Part No	Description	#	£
1	5303020038	DLFC retainer assembly	1	
2a			1	
2b	5303020040	DLFC Flange outlet FBSPT		
5	5303020043	Bolt	4	
6	5303021035	O-Ring 226	1	
-	5303024091	DLFC 007 (0.7 gpm / 2,6 lpm) for 3/4"	min. 1 max. 7	
	5303024092	DLFC 010 (1.0 gpm / 3,7 lpm) for 3/4"		
	5303024093	DLFC 013 (1.3 gpm / 4.9 lpm) for 3/4"		
	5303024094	DLFC 017 (1.7 gpm / 6.4 lpm) for 3/4"		
	5303024095	DLFC 022 (2.2 gpm / 8.3 lpm) for 3/4"		
	5303024096	DLFC 027 (2.7 gpm / 10.2 lpm) for 3/4"		
	5303024097	DLFC 032 (3.2 gpm / 12.1 lpm) for 3/4"		
	5303024098	DLFC 042 (4.2 gpm / 15.9 lpm) for 3/4"		
	5303024099	DLFC 053 (5.3 gpm / 20.1 lpm) for 3/4"		
	5303024100	DLFC 065 (6.5 gpm / 24.6 lpm) for 3/4"		
	5303024101	DLFC 075 (7.5 gpm / 28.4 lpm) for 3/4"		
	5303024102	DLFC 090 (9.0 gpm / 34.1 lpm) for 3/4"		
	5303024103	DLFC 100 (10.0 gpm / 37.9 lpm) for 3/4"		
	5303025164	DLFC 090 (9.0 gpm / 34.1 lpm) for 1"		
	5303024104	DLFC 100 (10.0 gpm / 37.9 lpm) for 1"		
	5303024105	DLFC 110 (11.0 gpm / 41.6 lpm) for 1"		
	5303024106	DLFC 130 (13.0 gpm / 49.2 lpm) for 1"		
	5303024107	DLFC 150 (15.0 gpm / 56.8 lpm) for 1"		
	5303024108	DLFC 170 (17.0 gpm / 64.4 lpm) for 1"		
	5303024109	DLFC 200 (20.0 gpm / 75.7 lpm) for 1"		
	5303024110	DLFC 250 (25.0 gpm / 94.6 lpm) for 1"		
	5302037734	DLFC Assy 125 FNPT / 15 FBSPT (= n° 1 + 2b + 4 + 5 + 6)		
	5303029018	DLFC Assy 15 MNPT / 15 FBSPT (= n° 1 + 2b + 3 + 5 + 6)		

CLACK WS2

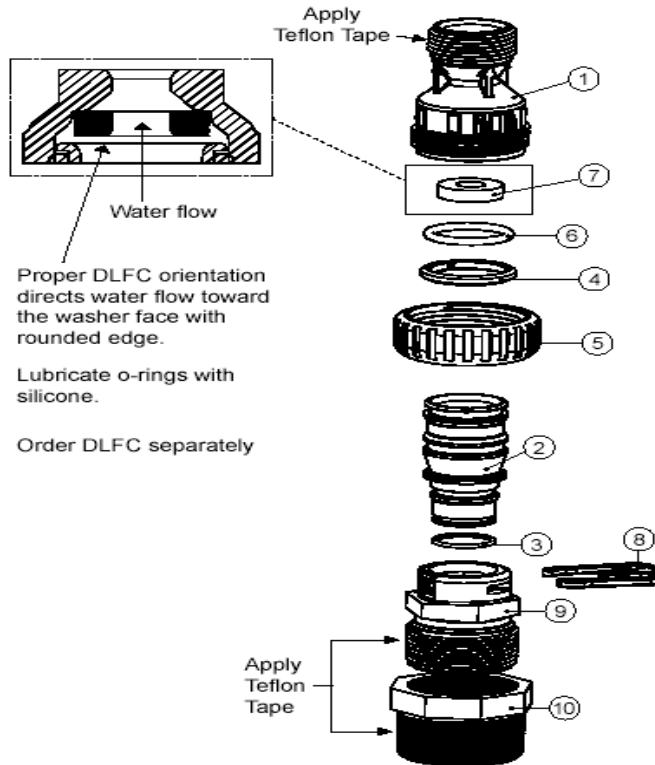
Drain elbow (3/4" male BSP without silencer)



N°	Part No	Description	#	£
1	5303020046	Bushing PVC 1" x 1.5"	1	
2	5303021026	DLFC Adapter	1	
3	5303025041	Retaining clip	1	
4	5303024091	DLFC 007 (0.7 gpm / 2,6 lpm) for 3/4"	Use one DLFC if using 3/4" fittings	
	5303024092	DLFC 010 (1.0 gpm / 3,7 lpm) for 3/4"		
	5303024093	DLFC 013 (1.3 gpm / 4.9 lpm) for 3/4"		
	5303024094	DLFC 017 (1.7 gpm / 6.4 lpm) for 3/4"		
	5303024095	DLFC 022 (2.2 gpm / 8.3 lpm) for 3/4"		
	5303024096	DLFC 027 (2.7 gpm / 10.2 lpm) for 3/4"		
	5303024097	DLFC 032 (3.2 gpm / 12.1 lpm) for 3/4"		
	5303024098	DLFC 042 (4.2 gpm / 15.9 lpm) for 3/4"		
	5303024099	DLFC 053 (5.3 gpm / 20.1 lpm) for 3/4"		
	5303024100	DLFC 065 (6.5 gpm / 24.6 lpm) for 3/4"		
	5303024101	DLFC 075 (7.5 gpm / 28.4 lpm) for 3/4"		
5303024102	DLFC 090 (9.0 gpm / 34.1 lpm) for 3/4"			
5303024103	DLFC 100 (10.0 gpm / 37.9 lpm) for 3/4"			
5	5303025099	DLFC retainer assembly	1	
6	5303024403	O-Ring 019	1	
7	5303028661	Drain elbow 3/4" BSP male	1	
1-3 5-7	5302037732	Drain elbow assy 3/4" BSP male without silencer		

CLACK WS2

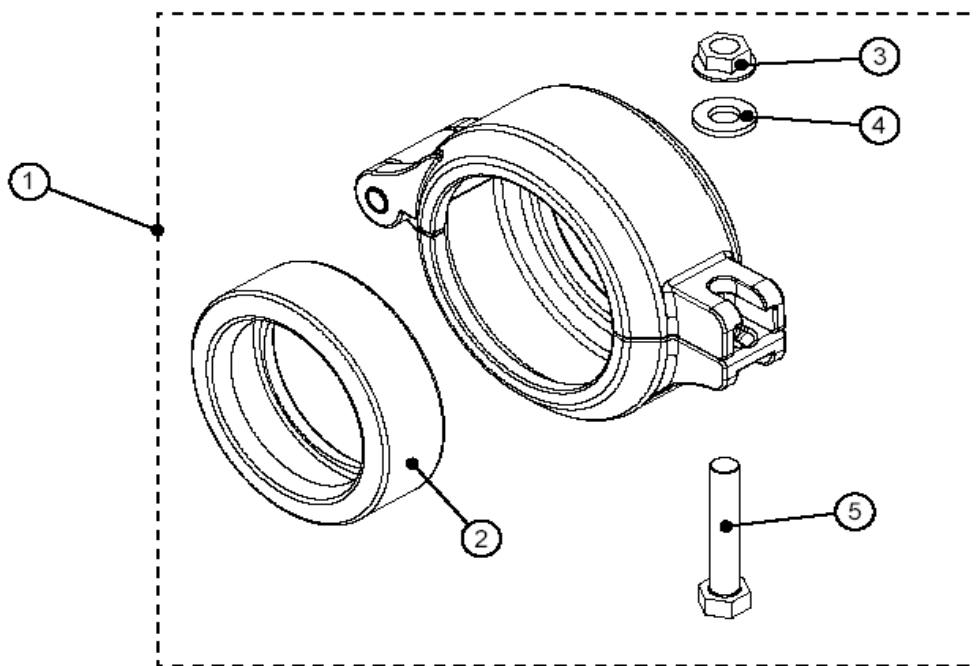
Drain fitting (1" male BSP straight without silencer) silencer)



N°	Part No	Description	#	£
1	5303025101	Fitting flow control body 1" BSP male	1	
2	5303025102	Drain fitting adapter 1"	1	
3	5303024403	O-Ring 019	1	
4	5303025094	Split ring	1	
5	5303025096	Nut 1" quick connect	1	
6	5303022165	O-Ring 215	1	
7	5303025164	DLFC 090 (9.0 gpm / 34.1 lpm) for 1"	Use one DLFC if using 1" fittings	
	5303024104	DLFC 100 (10.0 gpm / 37.9 lpm) for 1"		
	5303024105	DLFC 110 (11.0 gpm / 41.6 lpm) for 1"		
	5303024106	DLFC 130 (13.0 gpm / 49.2 lpm) for 1"		
	5303024107	DLFC 150 (15.0 gpm / 56.8 lpm) for 1"		
	5303024108	DLFC 170 (17.0 gpm / 64.4 lpm) for 1"		
	5303024109	DLFC 200 (20.0 gpm / 75.7 lpm) for 1"		
	5303024110	DLFC 250 (25.0 gpm / 94.6 lpm) for 1"		
8	5303025041	Elbow locking clip	1	
9	5303021026	DLFC Adapter	1	
10	5303020046	Bushing PVC 1" x 1.5"	1	
1-6 8-10	5302037731	WS2 Fitting drain 1" male BSP straight without silencer		

CLACK WS2

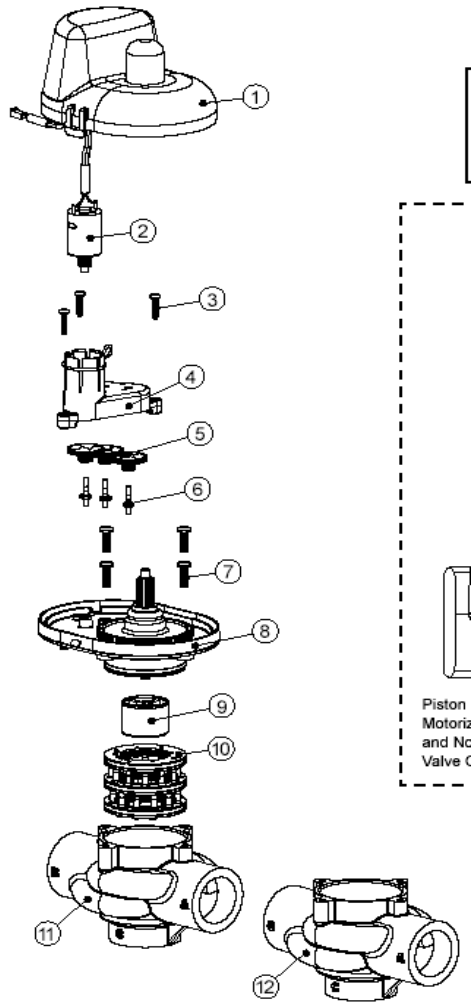
2 1/2" Groovelock clamp assembly



N°	Part No	Description	#	£
1	5303028616	2 1/2" Groovelock clamp assy	1	
2	5303021222	Groovelock seal 2.5	1	
3	5303021201	Nut	1	
4	5303021226	Washer	1	
5	5303021207	Bolt	1	
-	5303020047	Silicone lubricant	1	

CLACK WS1.5

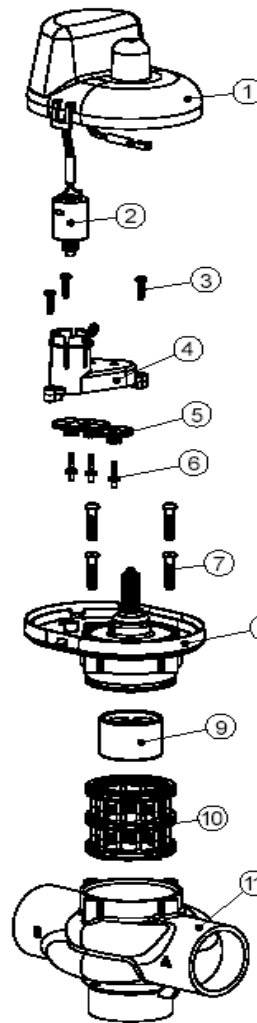
1.5" Piston style MAV



N°	Part No	Description	#	£
1	5303020048	MAV PI ALT-NHWBP Cover assy	1	
2	5303021232	Motor assembly 8'	1	
3	5303020049	Screw	3	
4	5303021197	Reduction gear cover assembly	1	
5	5303025074	Drive reducing gear 12x36	3	
6	5303021198	Drive reduction gear axle	3	
7	5303020050	Screw	4	
8	5303021661	MAV PI 1.5 ALT-NHWBP Drive assy	1	
9	5303021662	MAV PI 1.5 ALT-NHWBP Piston	1	
10	5303021663	MAV PI 1.5 ALT-NHWBP Stack assy	1	
12	5303020052	MAV PI Body 1.5 BSPT	1	
-	5303021231	Alternating connection cord	1	
1-12	5302036536	Motorized alternating valve PI 1.5 BSPT		

CLACK WS2

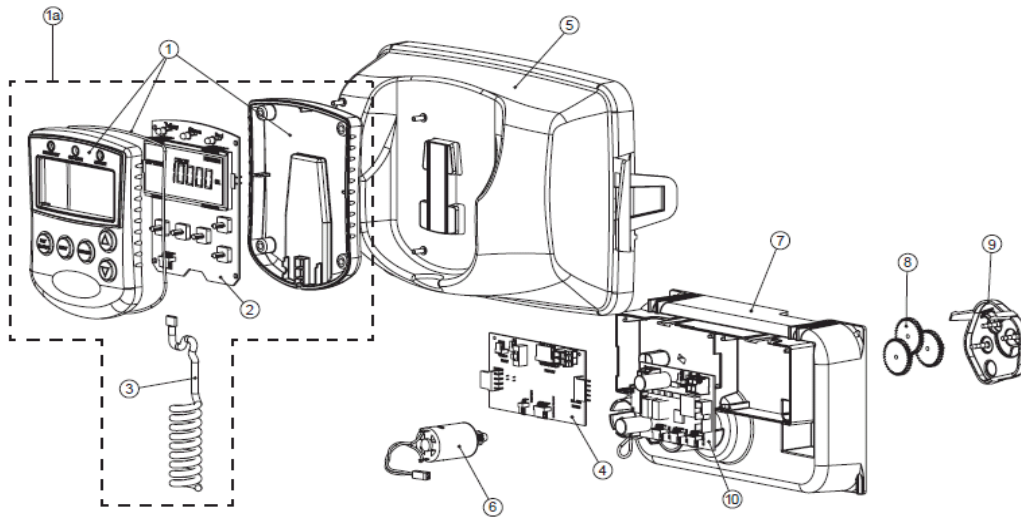
2" Piston style MAV



N°	Part No	Description	#	£
1	5303020048	MAV PI ALT-NHWBP Cover assy	1	
2	5303021232	Motor assembly 8'	1	
3	5303020049	Screw	3	
4	5303021197	Reduction gear cover assembly	1	
5	5303025074	Drive reducing gear 12x36	3	
6	5303021198	Drive reduction gear axle	3	
7	5303020014	Bolt	4	
8	5303020054	MAV PI 2 ALT-NHWBP Drive assy	1	
9	5303020055	MAV PI 2 ALT-NHWBP Piston	1	
10	5303020056	MAV PI 2 ALT-NHWBP Stack assy	1	
11	5303020058	MAV PI Body 2 BSPT	1	
-	5303021231	Alternating connection cord	1	
1-11	5302037729	Motorized alternating valve PI 2" BSPT		

CLACK WS2H & WS3

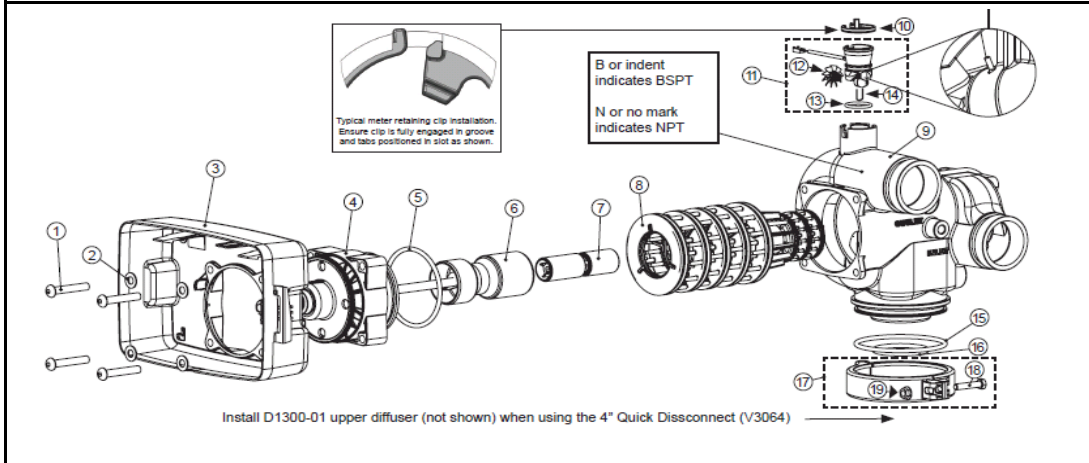
Front cover and drive assembly



N°	Part Number	Description	#	£
1	5303021086	Pod assembly	1	
1a	5303021817	Pod assembly complete with board (= n° 1 + 2 + 3)	Op.	
2	5303021097	PC Board display	1	
3	5303021101	Pod cable	1	
4	5303021098	PC Board valve	1	
5	5303021092	Front cover assembly platinum	1	
6	5303025068	Motor assy	1	
7	5303021094	Drive bracket assy	1	
8	5303025074	Drive reducing gear 12x36	3	
9	5303025073	Drive gear cover	1	
-	5302039040	AC Adapter 24V (UK version)	1	
10	5303021056	PC Board system	Op.	
-	5303021059	System connection cord 12" (red)	Op.	
-	5303021060	System connection cord 24" (blue)	Op.	
-	5303021061	System connection cord 36" (yellow)	Op.	

CLACK WS2H

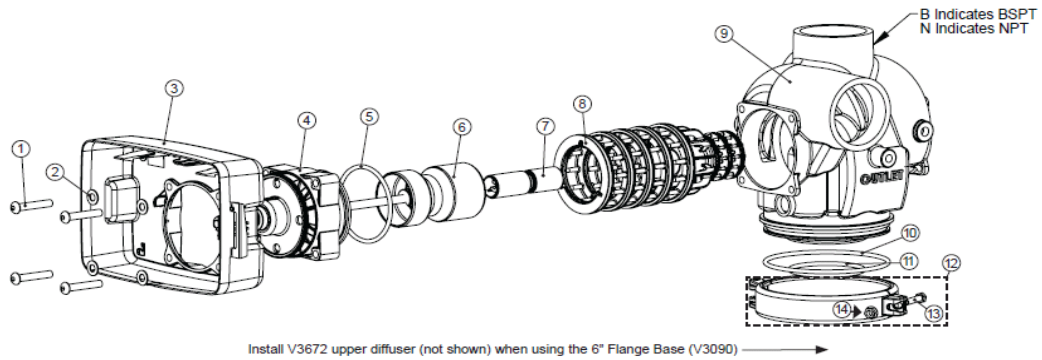
Drive cap assembly, main piston, regenerant piston and spacer stack assembly



N°	Part Number	Description	#	£
1	5303021204	Screw	4	
2	5303021223	Washer	4	
3	5303021093	Back plate	1	
4	5303021084	Drive assy	1	
5	5303021221	O-Ring	1	
6	5303021089	Piston	1	
7	5303021095	Brine piston	1	
8	5303021083	Spacer stack assembly	1	
-	5303021228	Plug NPT (incl. in n° 9)	2	
-	5303020012	Plug BSPT (incl. in n° 9)		
9		Body & Plug BSPT	1	
10	5303020006	Meter retaining clip (new style - 2008)	1	
	5303028673	Meter retaining clip (old style)		
11	5303028147	Meter commercial assy (incl. n° 12 + 13 + 14)	1	
12	5303020010	Turbine assembly	1	
13	5303022165	O-Ring 215	1	
14	5303020011	Turbine clip	1	
15	5303021210	O-Ring 346	1	
16	5303021212	O-Ring 332 (for valve bodies with NPT threads)	1	
	5303020013	O-Ring 230 (for valve bodies with BSPT threads)		
17	5303021079	4" Base clamp assy (incl. n° 18 + 19)	1	
18	5303021207	Bolt	1	
19	5303021201	Nut	1	
-	5303021064	Top baffle diffuser	1	

CLACK WS3

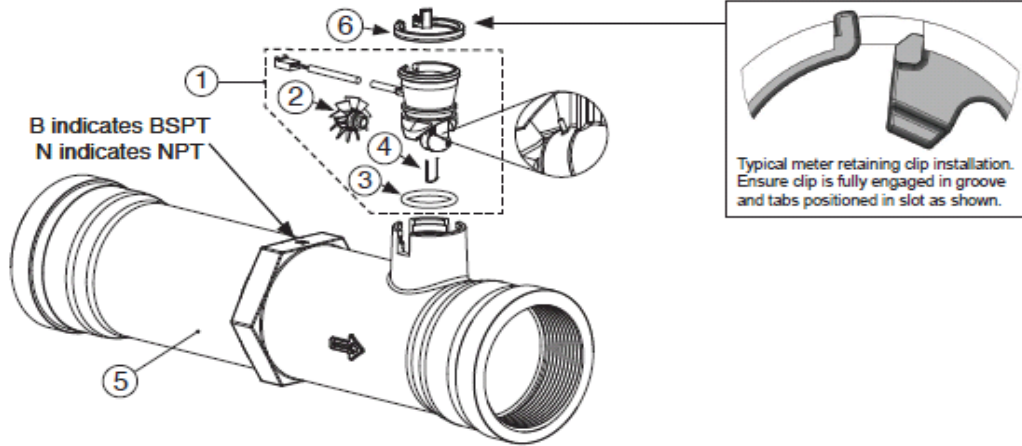
Drive cap assembly, main piston, regenerant piston and spacer stack assembly



N°	Part Number	Description	#	£
1	5303021204	Screw	4	
2	5303021223	Washer	4	
3	5303021093	Back plate	1	
4	5303020061	Drive assy	1	
5	5303021221	O-Ring	1	
6	5303020062	Piston	1	
7	5303021095	Brine piston	1	
8	5303020063	Spacer stack assembly	1	
-	5303021228	Plug NPT (incl. in n° 9)	2	
-	5303020012	Plug BSPT (incl. in n° 9)		
9	5303020064	Body & Plug NPT	1	
	5303020065	Body & Plug BSPT		
10	5303020066	O-Ring 361	1	
11	5303020067	O-Ring 341 for valve bodies with NPT or BSPT threads	1	
12	5303020068	Base clamp assy	1	
13	5303021207	Bolt	1	
14	5303021201	Nut	1	
-	5303020069	Top baffle diffuser	1	

CLACK WS3

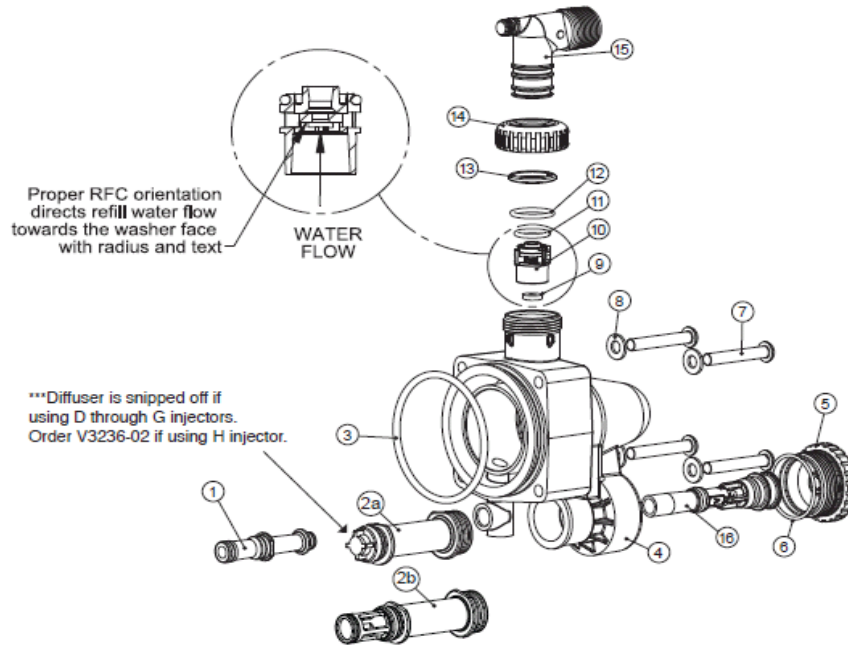
Meter assembly



N°	Part Number	Description	#	£
1	5303021091	Meter assy 15' (incl. n° 2 + 3 + 4)	1	
2	5303020010	Turbine assembly	1	
3	5303022165	O-Ring 215	1	
4	5303020011	Turbine clip	1	
5	5303020071	Meter BSPT housing	1	
6	5303020006	Meter retaining clip (new style - 2008 onward)	1	
	5303028673	Meter retaining clip (old style)		
-	5303020072	Flow straightener	1	
1-6				
	5303021841	3" Meter BSPT assembly		

CLACK WS3

Injector system



N°	Part Number	Description	#	£
1	5303020074	Softfill tube assy	1	
2a		Injector tube assy for A - C, valve WS2H	1	
		Injector tube assy for H only, valve WS2H		
2b	5303020075	Injector tube downflow assy, valve WS3		
3	5303021221	O-Ring	1	
4	5303021085	Brine body assy	1	
5	5303021233	Injector cap	1	
6	5303029462	O-Ring 135	1	
7	5303021206	Screw	4	
8	5303021223	Washer	4	
9	5303024095	DLFC 022 (2.2 gpm) for 3/4"	1	
10	5303021096	Refill flow control retainer assembly	1	
11	5303021208	O-Ring 211	1	
12	5303022165	O-Ring 215	1	
13	5303025094	Split ring	1	
14	5303025096	Nut 1" quick connect	1	
15	5303025093	Fitting 1" PVC male NPT elbow	1	
-(a)	5303025124	Fitting 3/4" & 1" PVC solvent elbow	Op.	
16	5303020026	Injector assy R	1	
	5303020027	Injector assy S		
	5303020028	Injector assy T		

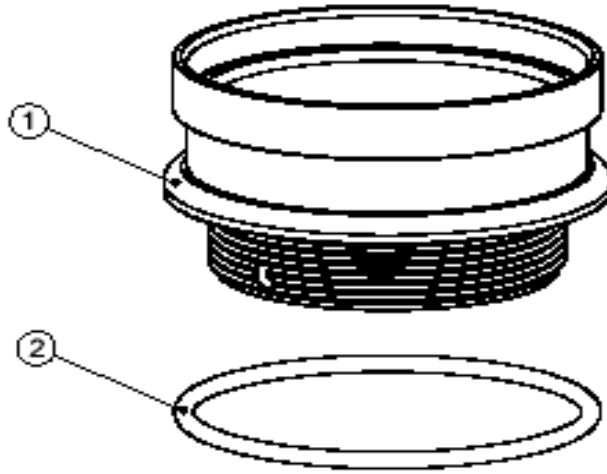
Injector system

Continued

16	5303020029	Injector assy U	1	
	5303020030	Injector assy V		
	5303020031	Injector assy W		
	5303020032	Injector assy X		
	5303021065	Injector assy A		
	5303021066	Injector assy B		
	5303021067	Injector assy C		
	5303021068	Injector assy D		
	5303021069	Injector assy E		
	5303021070	Injector assy F		
	5303021071	Injector assy G		
	5303021072	Injector assy H		
- (b)	5303020035	Fitting cap 1" threaded (to be installed on part n° 15 in case of backwash only valve)	1	
* Any DLFC from 0.7 up to 10.0 gpm can be used (5303024091 up to 5303024103).				
The WS2 valve is delivered standard with 2.2 gpm DLFC.				
Backwash only valves include part (b), but do not include the parts n° 9, 10, 11 & (a)				

CLACK WS2H - WS2QC

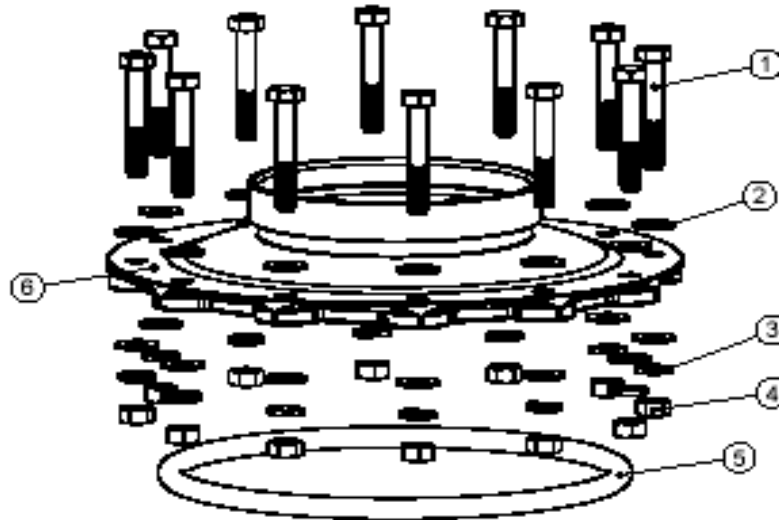
4" Base



N°	Part Number	Description	#	£
1	5303028669	Base	1	
2	5303021213	O-Ring 348	1	
1-2	5303028623	4" Base assembly		

CLACK WS2H - WS2QC

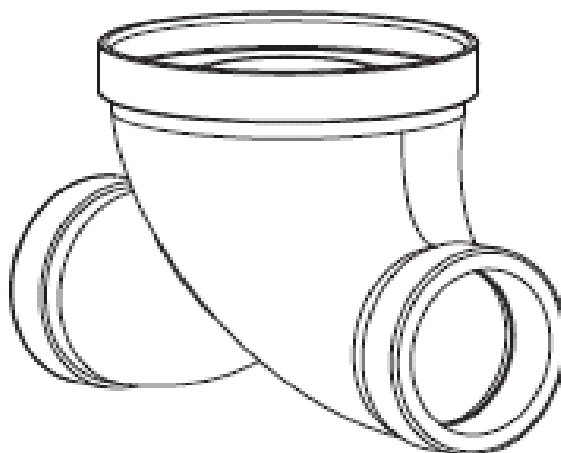
6" Flange base



N°	Part Number	Description	#	£
1	5303020019	Screw	12	
2	5303021226	Washer flat	24	
3	5303020020	Washer split lock	12	
4	5303020021	Nut	12	
5	5303020022	O-Ring	1	
6	5303021001	Flange base WS2H	1	
	5303020076	Flange base WS3		
1-6	5303028617	Flange base assembly WS2H/2QC		
	5303021699	Flange base assembly WS3		

CLACK WS2H - WS3

Side mount base

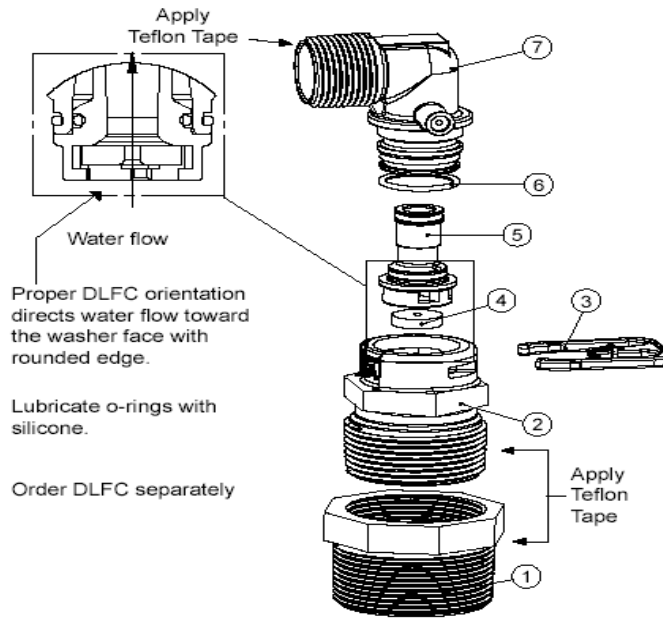


N°	Part Number	Description	#	£
	5303020077	Side mount base NPT for WS2H valve		
	5302034910	Side mount base BSPT for WS2H valve		
	5303020078	Side mount base NPT for WS3 valve		
	5303021700	Side mount base BSPT for WS3 valve		

In case of a WS2H valve BSPT, the o-ring 230 (5303020013) must be replaced by o-ring 332 (5303021212).

CLACK WS2H

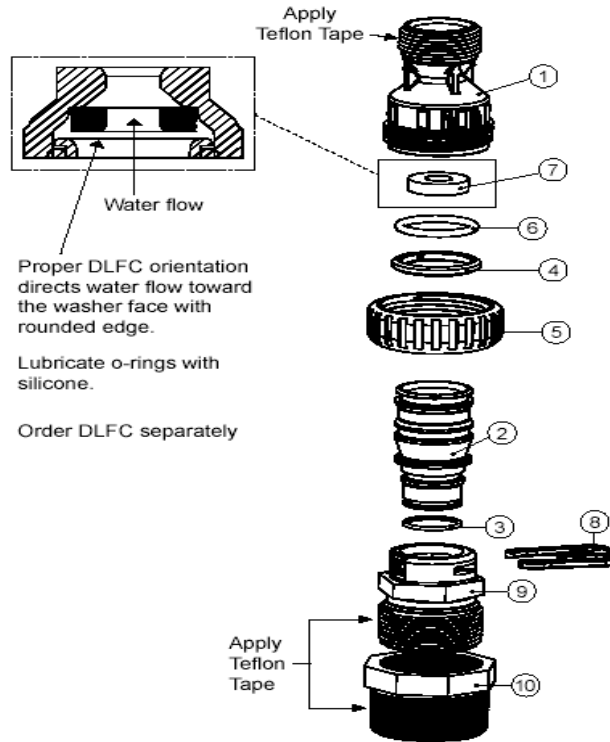
Drain elbow (3/4" male BSP without silencer)



N°	Part Number	Description	#	£
1	5303020046	Bushing PVC 1" x 1,5"	1	
2	5303021026	DLFC Adapter	1	
3	5303025041	Retaining clip	1	
4	5303024091	DLFC 007 (0.7 gpm / 2,6 lpm)	for 3/4"	Use one DLFC if using 3/4" fittings
	5303024092	DLFC 010 (1.0 gpm / 3,7 lpm)	for 3/4"	
	5303024093	DLFC 013 (1.3 gpm / 4.9 lpm)	for 3/4"	
	5303024094	DLFC 017 (1.7 gpm / 6.4 lpm)	for 3/4"	
	5303024095	DLFC 022 (2.2 gpm / 8.3 lpm)	for 3/4"	
	5303024096	DLFC 027 (2.7 gpm / 10.2 lpm)	for 3/4"	
	5303024097	DLFC 032 (3.2 gpm / 12.1 lpm)	for 3/4"	
	5303024098	DLFC 042 (4.2 gpm / 15.9 lpm)	for 3/4"	
	5303024099	DLFC 053 (5.3 gpm / 20.1 lpm)	for 3/4"	
	5303024100	DLFC 065 (6.5 gpm / 24.6 lpm)	for 3/4"	
	5303024101	DLFC 075 (7.5 gpm / 28.4 lpm)	for 3/4"	
	5303024102	DLFC 090 (9.0 gpm / 34.1 lpm)	for 3/4"	
5303024103	DLFC 100 (10.0 gpm / 37.9 lpm)	for 3/4"		
5	5303025099	DLFC retainer assembly	1	
6	5303024403	O-Ring 019	1	
7	5303028661	Drain elbow 3/4" male	1	
1-3 5-7	5302037732	Drain elbow assy 3/4" BSP male without silencer		

CLACK WS2H

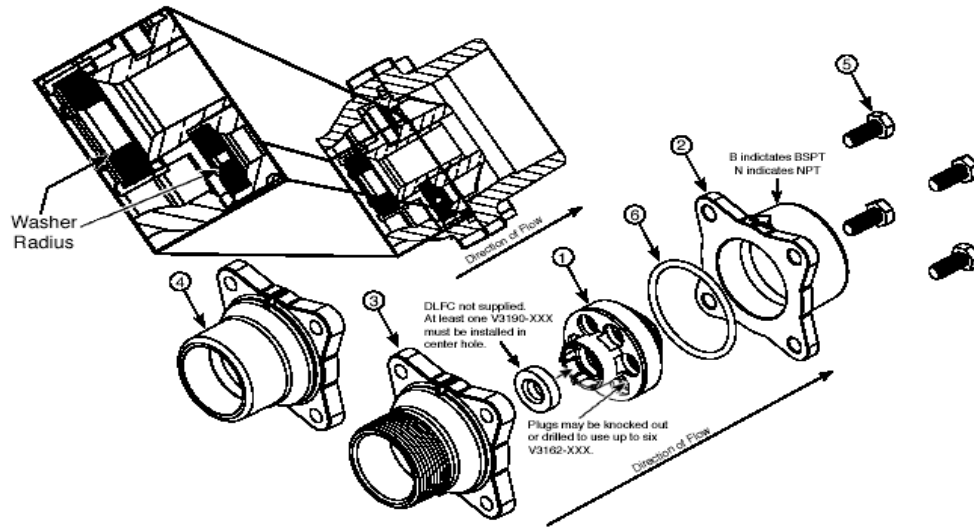
Drain fitting (1" male BSP straight without



N°	Part Number	Description	#	£
1	5303025101	Fitting flow control body 1" BSP male	1	
2	5303025102	Drain fitting adapter 1"	1	
3	5303024403	O-Ring 019	1	
4	5303025094	Split ring	1	
5	5303025096	Nut 1" quick connect	1	
6	5303022165	O-Ring 215	1	
7	5303025164	DLFC 090 (9.0 gpm / 34.1 lpm)	for 1"	Use one DLFC if using 1" fittings
	5303024104	DLFC 100 (10.0 gpm / 37.9 lpm)	for 1"	
	5303024105	DLFC 110 (11.0 gpm / 41.6 lpm)	for 1"	
	5303024106	DLFC 130 (13.0 gpm / 49.2 lpm)	for 1"	
	5303024107	DLFC 150 (15.0 gpm / 56.8 lpm)	for 1"	
	5303024108	DLFC 170 (17.0 gpm / 64.4 lpm)	for 1"	
	5303024109	DLFC 200 (20.0 gpm / 75.7 lpm)	for 1"	
	5303024110	DLFC 250 (25.0 gpm / 94.6 lpm)	for 1"	
8	5303025041	Elbow locking clip	1	
9	5303021026	DLFC Adapter	1	
10	5303020046	Bushing PVC	1	
1-6 8 10	5302037731	WS2 Fitting drain 1" male BSP straight without silencer		

CLACK

Drain line flow control



N°	Part Number	Description	#	£
1	5303020038	DLFC retainer assembly	1	
2b	5303020040	DLFC Flange outlet FBSPT	1	
3			1	
4				
5	5303020043	Bolt	4	
6	5303021035	O-Ring 226	1	

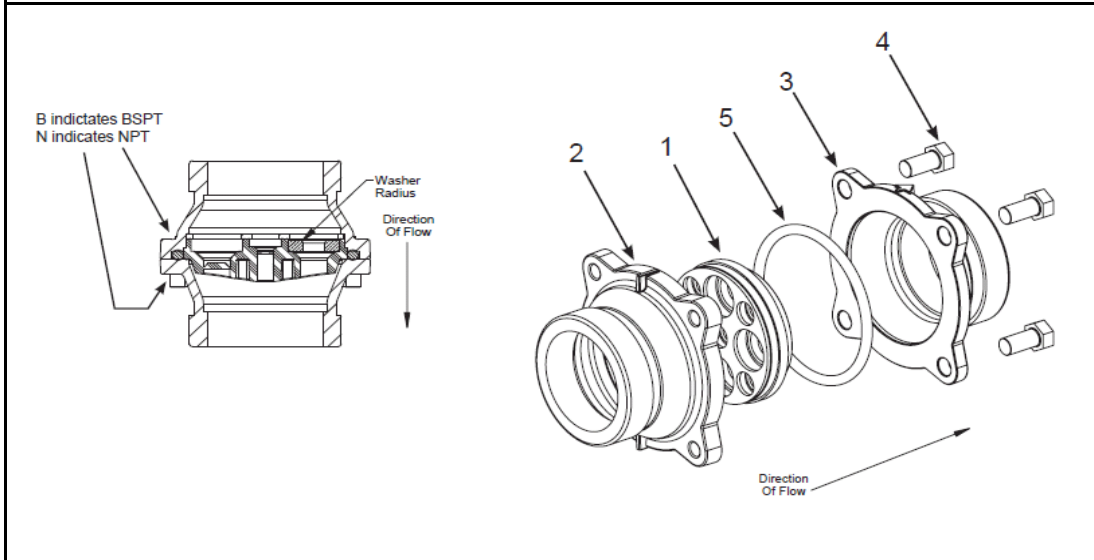
CLACK

Drain line flow control (continued)

	5303024091	DLFC 007 (0.7 gpm / 2,6 lpm)	for ¾"	min. 1 max. 7	
	5303024092	DLFC 010 (1.0 gpm / 3,7 lpm)	for ¾"		
	5303024093	DLFC 013 (1.3 gpm / 4.9 lpm)	for ¾"		
	5303024094	DLFC 017 (1.7 gpm / 6.4 lpm)	for ¾"		
	5303024095	DLFC 022 (2.2 gpm / 8.3 lpm)	for ¾"		
	5303024096	DLFC 027 (2.7 gpm / 10.2 lpm)	for ¾"		
	5303024097	DLFC 032 (3.2 gpm / 12.1 lpm)	for ¾"		
	5303024098	DLFC 042 (4.2 gpm / 15.9 lpm)	for ¾"		
	5303024099	DLFC 053 (5.3 gpm / 20.1 lpm)	for ¾"		
	5303024100	DLFC 065 (6.5 gpm / 24.6 lpm)	for ¾"		
-	5303024101	DLFC 075 (7.5 gpm / 28.4 lpm)	for ¾"		
	5303024102	DLFC 090 (9.0 gpm / 34.1 lpm)	for ¾"		
	5303024103	DLFC 100 (10.0 gpm / 37.9 lpm)	for ¾"		
	5303025164	DLFC 090 (9.0 gpm / 34.1 lpm)	for 1"		
	5303024104	DLFC 100 (10.0 gpm / 37.9 lpm)	for 1"		
	5303024105	DLFC 110 (11.0 gpm / 41.6 lpm)	for 1"		
	5303024106	DLFC 130 (13.0 gpm / 49.2 lpm)	for 1"		
	5303024107	DLFC 150 (15.0 gpm / 56.8 lpm)	for 1"		
	5303024108	DLFC 170 (17.0 gpm / 64.4 lpm)	for 1"		
	5303024109	DLFC 200 (20.0 gpm / 75.7 lpm)	for 1"		
	5303024110	DLFC 250 (25.0 gpm / 94.6 lpm)	for 1"		
	5302037734	DLFC Assy 125 FNPT / 15 FBSPT (= n° 1 + 2b + 4 + 5 + 6)			
	5303029018	DLFC Assy 15 MNPT / 15 FBSPT (= n° 1 + 2b + 3 + 5 + 6)			

CLACK WS2H

Drain line flow control



N°	Part Number	Description	#	£
1	5303021078	DLFC Retainer assembly	1	
2	5303020079	DLFC Flange inlet BSPT	1	
3	5303020080	DLFC Flange outlet BSPT	1	
4	5303021203	Bolt	4	
5	5303021209	O-Ring 338	1	
-	5303024091	DLFC 007 (0.7 gpm / 2,6 lpm) for 3/4"	Install up to 5 pieces in the small holes	
	5303024092	DLFC 010 (1.0 gpm / 3,7 lpm) for 3/4"		
	5303024093	DLFC 013 (1.3 gpm / 4.9 lpm) for 3/4"		
	5303024094	DLFC 017 (1.7 gpm / 6.4 lpm) for 3/4"		
	5303024095	DLFC 022 (2.2 gpm / 8.3 lpm) for 3/4"		
	5303024096	DLFC 027 (2.7 gpm / 10.2 lpm) for 3/4"		
	5303024097	DLFC 032 (3.2 gpm / 12.1 lpm) for 3/4"		
	5303024098	DLFC 042 (4.2 gpm / 15.9 lpm) for 3/4"		
	5303024099	DLFC 053 (5.3 gpm / 20.1 lpm) for 3/4"		
	5303024100	DLFC 065 (6.5 gpm / 24.6 lpm) for 3/4"		
	5303024101	DLFC 075 (7.5 gpm / 28.4 lpm) for 3/4"		
	5303024102	DLFC 090 (9.0 gpm / 34.1 lpm) for 3/4"		
	5303024103	DLFC 100 (10.0 gpm / 37.9 lpm) for 3/4"		

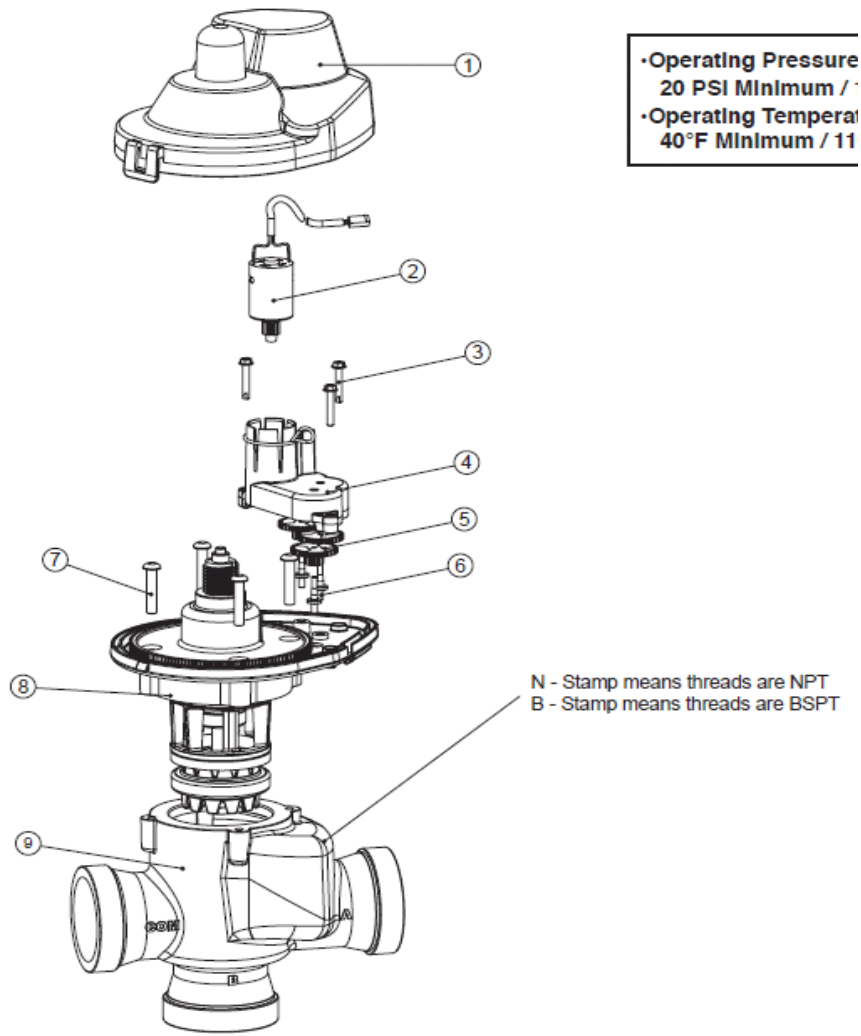
CLACK WS2H

Drain line flow control (continued)

	5303025164	DLFC 090 (9.0 gpm / 34.1 lpm)	for 1"	Install up to 4 pieces in the large holes	
	5303024104	DLFC 100 (10.0 gpm / 37.9 lpm)	for 1"		
	5303024105	DLFC 110 (11.0 gpm / 41.6 lpm)	for 1"		
	5303024106	DLFC 130 (13.0 gpm / 49.2 lpm)	for 1"		
	5303024107	DLFC 150 (15.0 gpm / 56.8 lpm)	for 1"		
	5303024108	DLFC 170 (17.0 gpm / 64.4 lpm)	for 1"		
	5303024109	DLFC 200 (20.0 gpm / 75.7 lpm)	for 1"		
	5303024110	DLFC 250 (25.0 gpm / 94.6 lpm)	for 1"		

CLACK WS2H

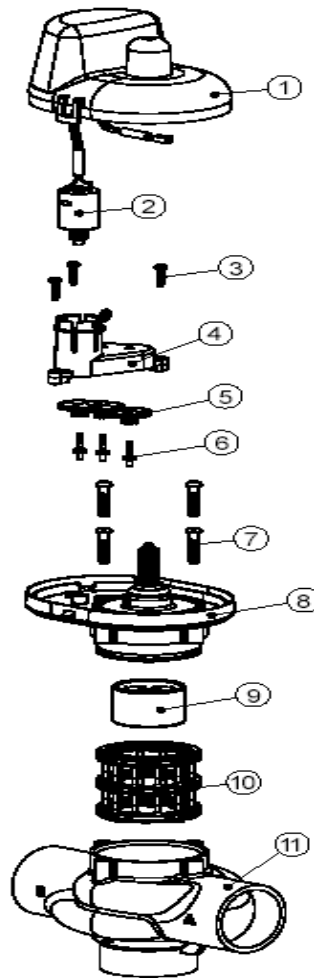
Motor alternating valve 2"



N°	Part Number	Description	#	£
1	5303028657	MAV P0 ALT-NHWBP Cover assy	1	
2	5303021232	Motor assembly 8'	1	
3	5303021202	Screw	3	
4	5303021197	Reduction gear cover assembly	1	
5	5303025074	Drive reducing gear 12x36	3	
6	5303021198	Drive reduction gear axle	3	
7	5303021225	Screw	4	
8	5303028658	MAV PO ALT-NHWBP Drive assy	1	
9	5303021004	Alternating valve body PO BSPT 2"	1	
-	5303021231	Alternating connection cord	1	
1-9	5303028622	Motorized alternating valve PO 2" BSPT		

CLACK WS2H & WS3

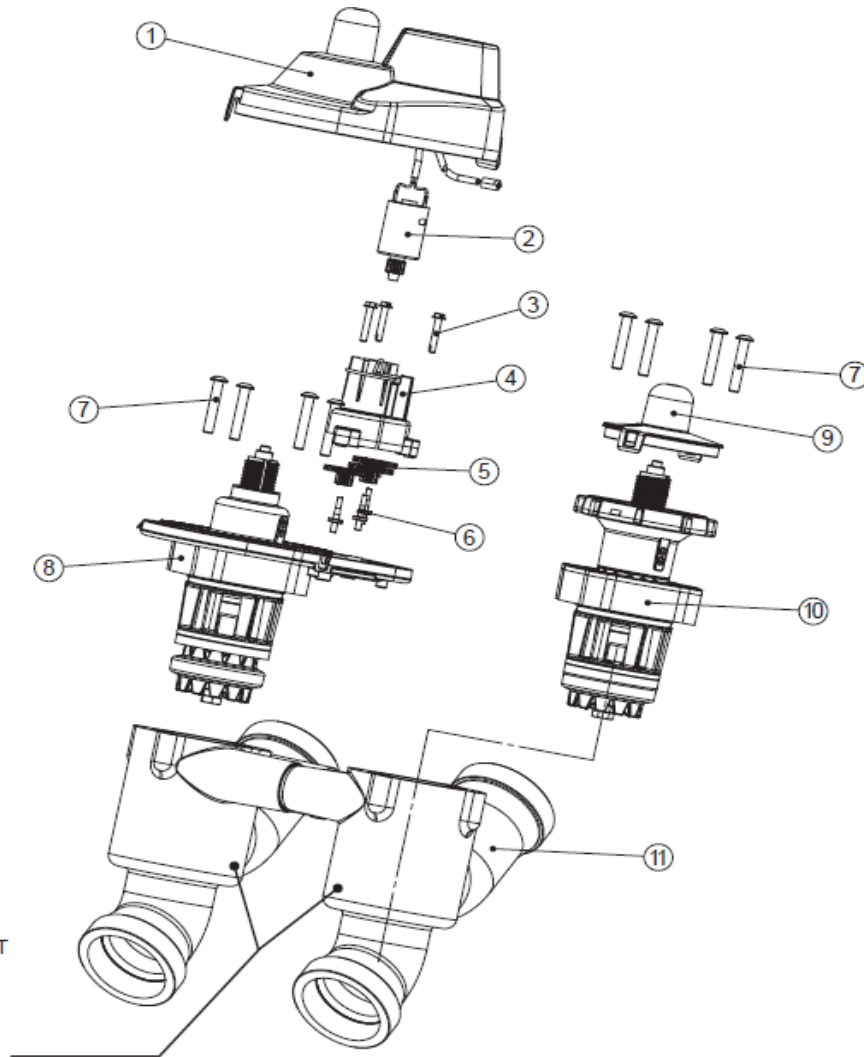
Motor alternating valve 2"



N°	Part Number	Description	#	£
1	5303020048	MAV PI ALT-NHWBP Cover assy	1	
2	5303021232	Motor assembly 8'	1	
3	5303020049	Screw	3	
4	5303021197	Reduction gear cover assembly	1	
5	5303025074	Drive reducing gear 12x36	3	
6	5303021198	Drive reduction gear axle	3	
7	5303020014	Bolt	4	
8	5303020054	MAV PI 2 ALT-NHWBP Drive assy	1	
9	5303020055	MAV PI 2 ALT-NHWBP Piston	1	
10	5303020056	MAV PI 2 ALT-NHWBP Stack assy	1	
11	5303020057	MAV PI Body 2 NPT	1	
	5303020058	MAV PI Body 2 BSPT		
-	5303021231	Alternating connection cord	1	
1-11	5302037729	Motorized alternating valve PI 2" BSPT		

CLACK WS2H

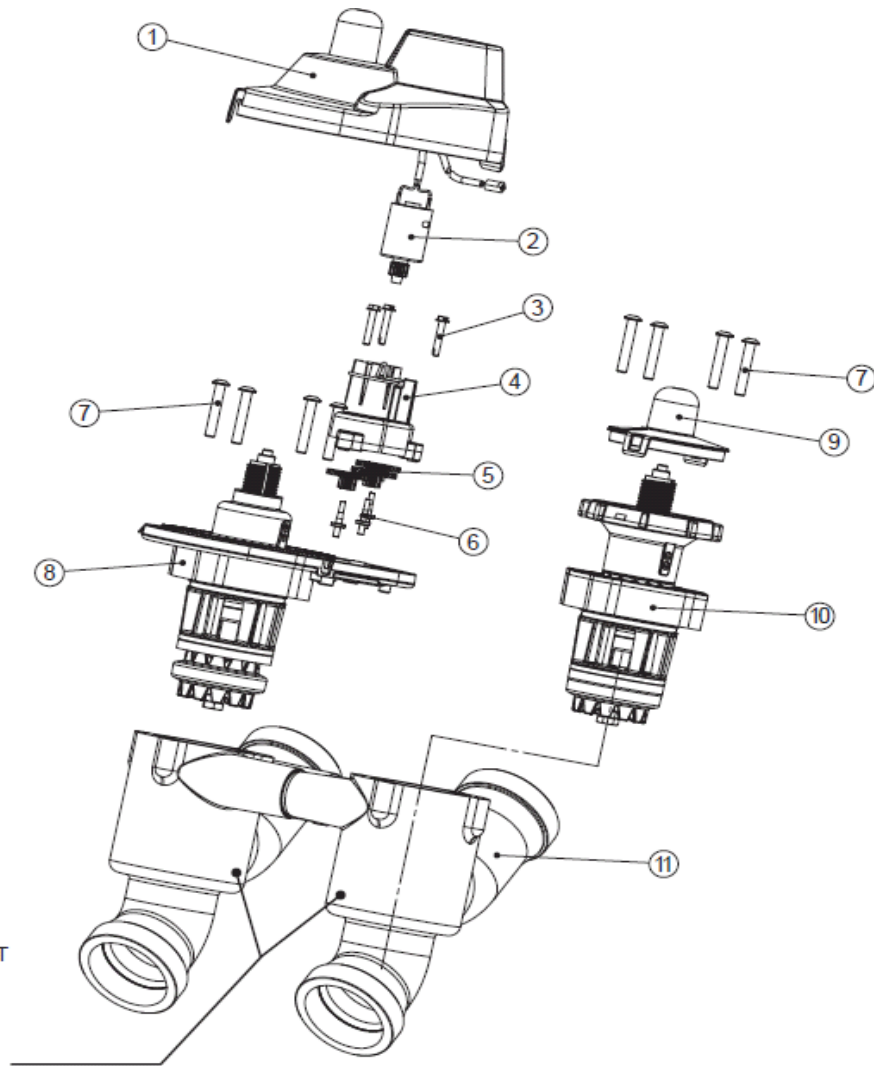
Auto bypass valve



N°	Part Number	Description	#	£
1	5303028657	MAV P0 ALT-NHWBP Cover assy	1	
2	5303021232	Motor assembly 8'	1	
3	5303021202	Screw	3	
4	5303021197	Reduction gear cover assembly	1	
5	5303025074	Drive reducing gear 12x36	3	
6	5303021198	Drive reduction gear axle	3	
7	5303021225	Screw	8	
8	5303028658	MAV PO ALT-NHWBP Drive assy	1	
11	5303020081	Bypass body assembly BSPT	1	
-	5303028616	2 1/2" Groovelock clamp assy	2	
1-11	5303021057	Bypass auto NPT		

CLACK WS2H

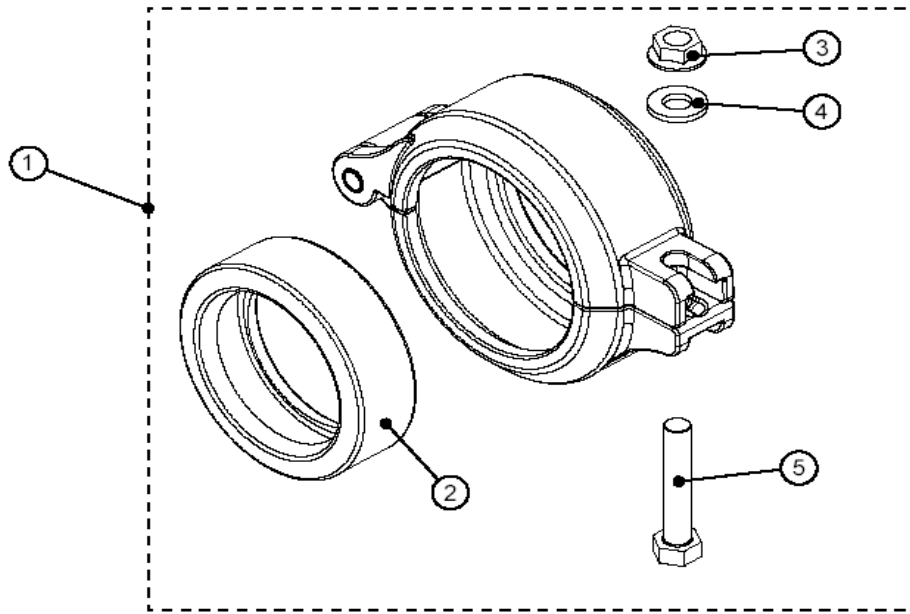
bypass valve



N°	Part Number	Description	#	£
7	5303021225	Screw	8	
9	5303021200	Bypass cover dome manual	2	
10	5303021081	Bypass manual drive assembly	2	
11	5303020081	Bypass body assembly BSPT	1	
-	5303028616	2 1/2" Groovelock clamp assy	2	
7-11	5303027114	Bypass manual BSPT		

CLACK WS2H

2 1/2" Groovelock clamp assembly



N°	Part Number	Description	#	£
1	5303028616	2 1/2" Groovelock clamp assy	1	
2	5303021222	Groovelock seal 2.5	1	
3	5303021201	Nut	1	
4	5303021226	Washer	1	
5	5303021207	Bolt	1	
-	5303020047	Silicone lubricant	1	